



## SERVICE MANUAL Gfp 300 Series

---



August 22, 2016

# Table of Contents

	Page
1. Parts list .....	3-6
2. Exploded Drawings	
View 1 - Frame and Stand.....	7
View 2 – Rollers and Shafts.....	8
View 3 - Right side frame.....	9
View 4 - Stand.....	10
3. Wiring Diagram.....	11

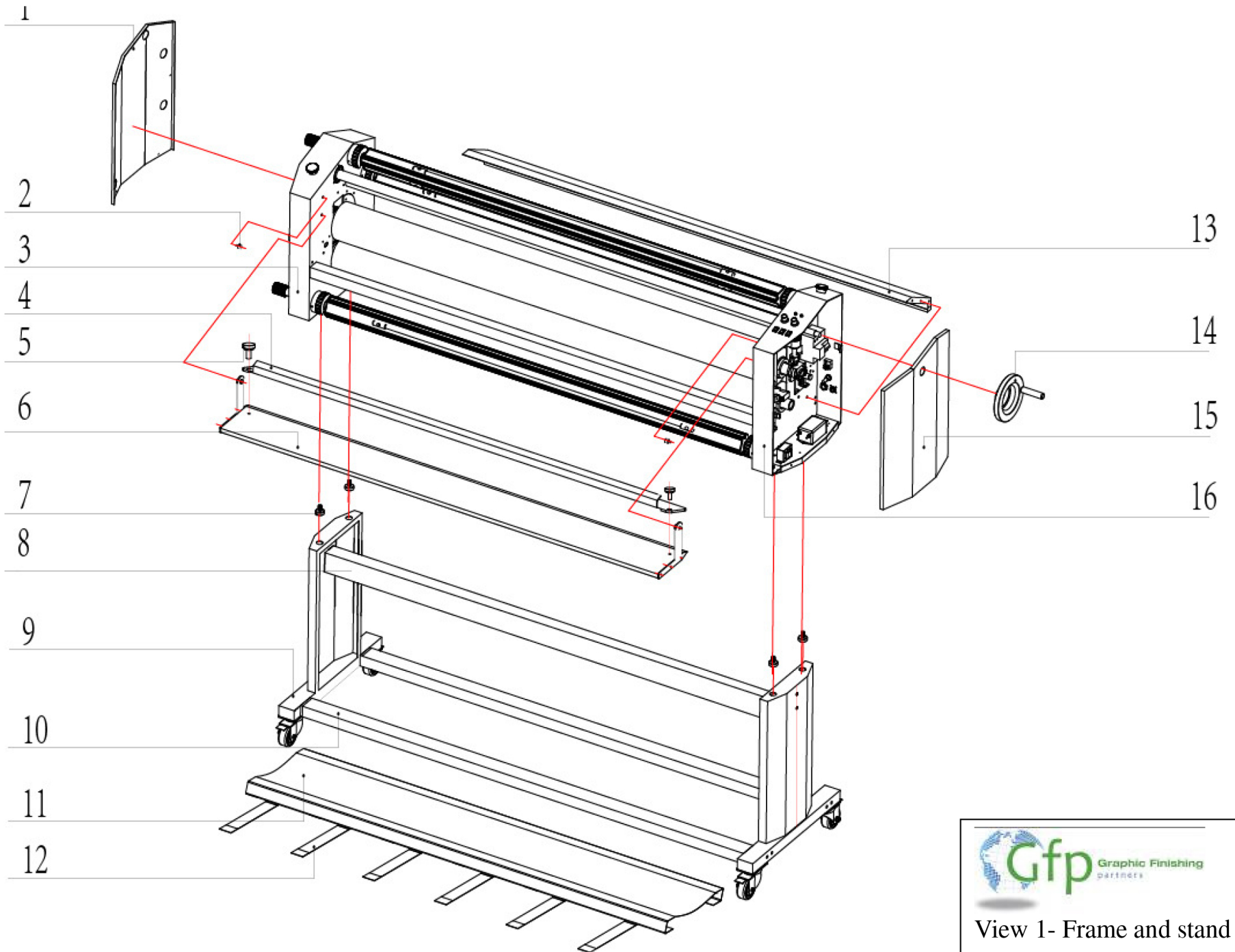


DRAWING NUMBER	PART NUMBER	DESCRIPTION	VIEW NUMBER	STOCK ITEM
01	355TH-1	Left side cover	1	
02	TH-49	In feed table stop (2)	1	
03	355TH-2	Left side frame	1	
04	55C-155	Print hold down bar	1	Yes
<b>04</b>	<b>363TH-1</b>	<b>63" Print hold down bar</b>	<b>1</b>	Yes
05	DH-101	Print hold down bolt (2)	1	Yes
06	355TH-3	Feed tray	1	
<b>06</b>	<b>363TH-2</b>	<b>63" Feed tray</b>	<b>1</b>	
07	TH-47	Stand locking screw (4)	1	Yes
08	355TH-5	Middle support beam	1	
<b>08</b>	<b>363TH-3</b>	<b>63" Middle support beam</b>	<b>1</b>	
09	355TH-6	Stand side frame (2)	1	
10	355TH-7	Lower support beam (2)	1	
<b>10</b>	<b>363TH-4</b>	<b>63" Lower support beam (2)</b>	<b>1</b>	
11	55C-51	Cloth tray	1	
<b>11</b>	<b>363TH-5</b>	<b>63" Cloth tray</b>	<b>1</b>	
12	55C-52	Velcro straps (7)	1	
13	355TH-8	Rear exit tray	1	
<b>13</b>	<b>363TH-6</b>	<b>63" Rear exit tray</b>	<b>1</b>	
14	DH-8	Hand wheel	1	Yes
15	355TH-9	Right side cover	1	
16	355TH-10	Right side frame	1	
17	355TH-11	Drive motor	2	Yes
18	355TH-12	Linkage pressure regulating shaft	2	
<b>18</b>	<b>363TH-7</b>	<b>63" Linkage pressure regulating shaft</b>	<b>2</b>	
19	TH-18	Bearing sleeve (4)	2	Yes
20	355TH-13	Heat roller	2	Yes
<b>20</b>	<b>363TH-8</b>	<b>63" Heat roller</b>	<b>2</b>	<b>Yes</b>
21	355TH-14	Nip roller	2	Yes
<b>21</b>	<b>363TH-9</b>	<b>63" Nip roller</b>	<b>2</b>	<b>Yes</b>
22	355TH-15	Front support beam	2	
<b>22</b>	<b>363TH-10</b>	<b>63" Front support beam</b>	<b>2</b>	

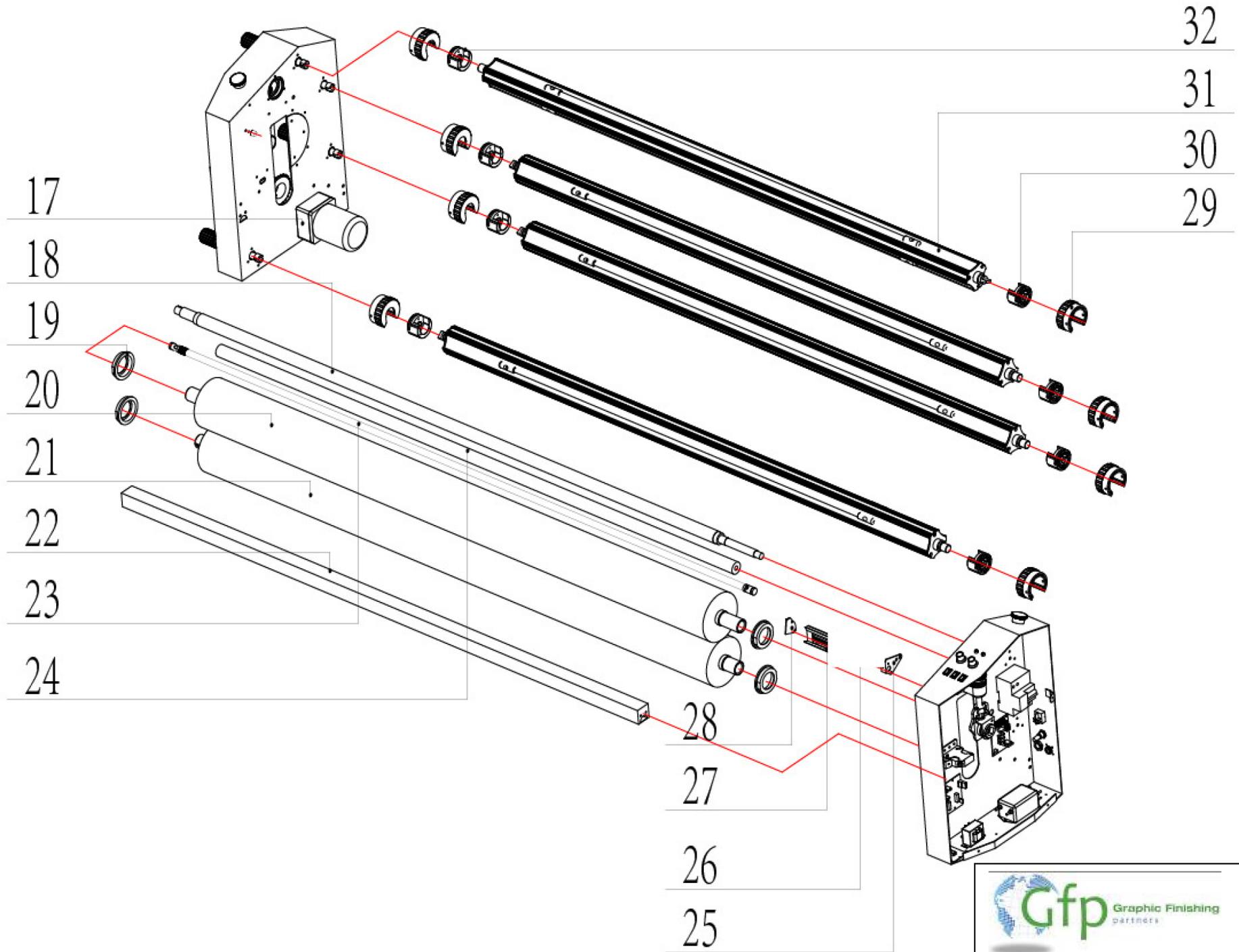
DRAWING NUMBER	PART NUMBER	DESCRIPTION	VIEW NUMBER	STOCK ITEM	
23	355TH-16	Alloy heating tube	2	Yes	
23	363TH-11	63" Alloy heating tube	2		
24	55C-4	Idler bar (2)	2		
24	363TH-12	63" Idler bar (2)	2		
25	TH-55	Mounting bracket of sensor supporting beam	2		
26	355TH-17	Heat Sensor	2	Yes	
27	TH-54	Supporting frame of sensor	2		
28	TH-53	Sensor supporting plug	2		
29	55C-140	Locking outer sleeve (6)	2		
30	55C-139	Right locking inner sleeve (5)	2		
31	355TH-18	Quick Grip shaft assembly (3)	2	Yes	
31	363TH-13	63" Quick grip shaft assembly (3)	2	Yes	
32	55C-137	Left locking inner sleeve	2		
33	55C-30	Green lamp	3	Yes	
34	355TH-19	Red Power lamp	3	Yes	
35	TH-105	Knob (2)	3	Yes	
36	TH-106	Control panel switch (3)	3	Yes	
37	TH-99	Potentiometer (2)	3		
38	TH-116	Control plate of photocell	3	Yes	
39	55C-123	110v Transformer 24V	3		
40	55C-124	110v Transformer 14V	3		
41	355TH-20	Wave filter	3	Yes	
42	355TH-21	Speed control board	3	Yes	
43	TH-92	Temperature control board (Replaced by 355TH-63)	3		
43	355TH-63	Temperature control board	3	Yes	
44	DH-70	Photocell eye (2)	3	Yes	
45	355TH-22	Micro-circuit breaker	3		
46	TH-7	Rewind tube bearings (2)	3	Yes	
47	355TH-23	Pressure regulating bearing (2)	3	Yes	
48	355TH-24	Pressure regulating block (2) (Replaced by 355TH-64)	3		
48	355 TH-64	Pressure regulating block (Starting at 1512 355TH 083)	3	Yes	

<b>DRAWING NUMBER</b>	<b>PART NUMBER</b>	<b>DESCRIPTION</b>	<b>VIEW NUMBER</b>	<b>STOCK ITEM</b>	
48	355TH-67	Pressure regulating block (2) (Prior to 1512 355TH 083)	3	Yes	
49	355TH-25	Alloy Heat tube bracket (2)	3		
50	355TH-26	Alloy Heat tube sleeve	3	Yes	
51	TH-91	Temperature controller	3	Yes	
52	355TH-27	Pressure regulating locating shaft (Replaced by 355TH-65)	3		
52	355TH-65	Pressure regulating locating shaft (Starting at 1512 355TH 083)	3	Yes	
52	355TH-68	Pressure regulating locating shaft (Prior to 1512 355TH 083)	3	Yes	
53	355TH-28	Bevel gear (2) (Prior to 1512 355 TH083) (Replaced by 355 TH-66)	3	Yes	
53	355TH-66	Bevel gear (2) (Starting at 1512 355TH 083)			
54	C-22	Tighner	3		
55	TH-97	Aviation plug	3	Yes	
56	TH-111	Foot switch	3	Yes	
57	TH-94	Fuse (1 amp, 5 x 20)	3	Yes	
58	DH-48	Emergency stop switch (2)	3	Yes	
59	355TH-29	Power cord	3		
60	355TH-30	Power switch	3		
61	355TH-31	Upper Tension adjustment shaft	4		
62	355TH-32	Lower tension adjustment shaft	4		
63	355TH-33	Upper tension regulating sleeve	4		
64	355TH-34	14T sprocket	4		
65	355TH-35	Upper tension regulating sleeve	4		
66	355TH-36	Lower tension regulating sleeve	4		
67	355TH-37	26T Sprocket	4		
68	355TH-38	Upper rewind chain (068B, 50 links)	4	Yes	
69	355TH-39	Lower rewind chain (06B, 48 Links)	4	Yes	
70	355TH-40	Tension regulating handle (4)	4		
71	355TH-41	Friction disk (2)	4		
72	355TH-42	Drive chain (06B, 46 Links)	4	Yes	
73	355TH-43	Tension regulating sleeve	4		
74	355TH-44	Spring seat (4)	4		
75	355TH-45	Spring (4)	4		
76	355TH-46	Tension regulating sleeve (4)	4		
77	355TH-47	Friction disc (3)	4		

<b>DRAWING NUMBER</b>	<b>PART NUMBER</b>	<b>DESCRIPTION</b>	<b>VIEW NUMBER</b>	<b>STOCK ITEM</b>	
78	355TH-48	Friction disc (4)	4		
79	355TH-49	Friction disc (2)	4		
80	355TH-50	Locating shaft	4		
81	355TH-51	Motor capacitor	4		
82	355TH-52	Wiring terminal	4	Yes	
83	355TH-53	14T motor sprocket (2)	4	Yes	
84	355TH-54	Roller sprocket	4	Yes	
85	355TH-55	Locating shaft	4		
86	355TH-56	Alloy heater rubber cushion	4	Yes	
87	355TH-57	Alloy heat tube bracket	4	Yes	
88	355TH-58	Half-round lining board	4		
89	355TH-59	Half-round reinforced plate	4		
90	355TH-60	Support sleeve (4)	4		
91	355TH-61	Anti-creep sleeve (4)	4	Yes	
92	355TH-62	Anti-creep partition	4	Yes	
93	563-176	Tool box	4	Yes	

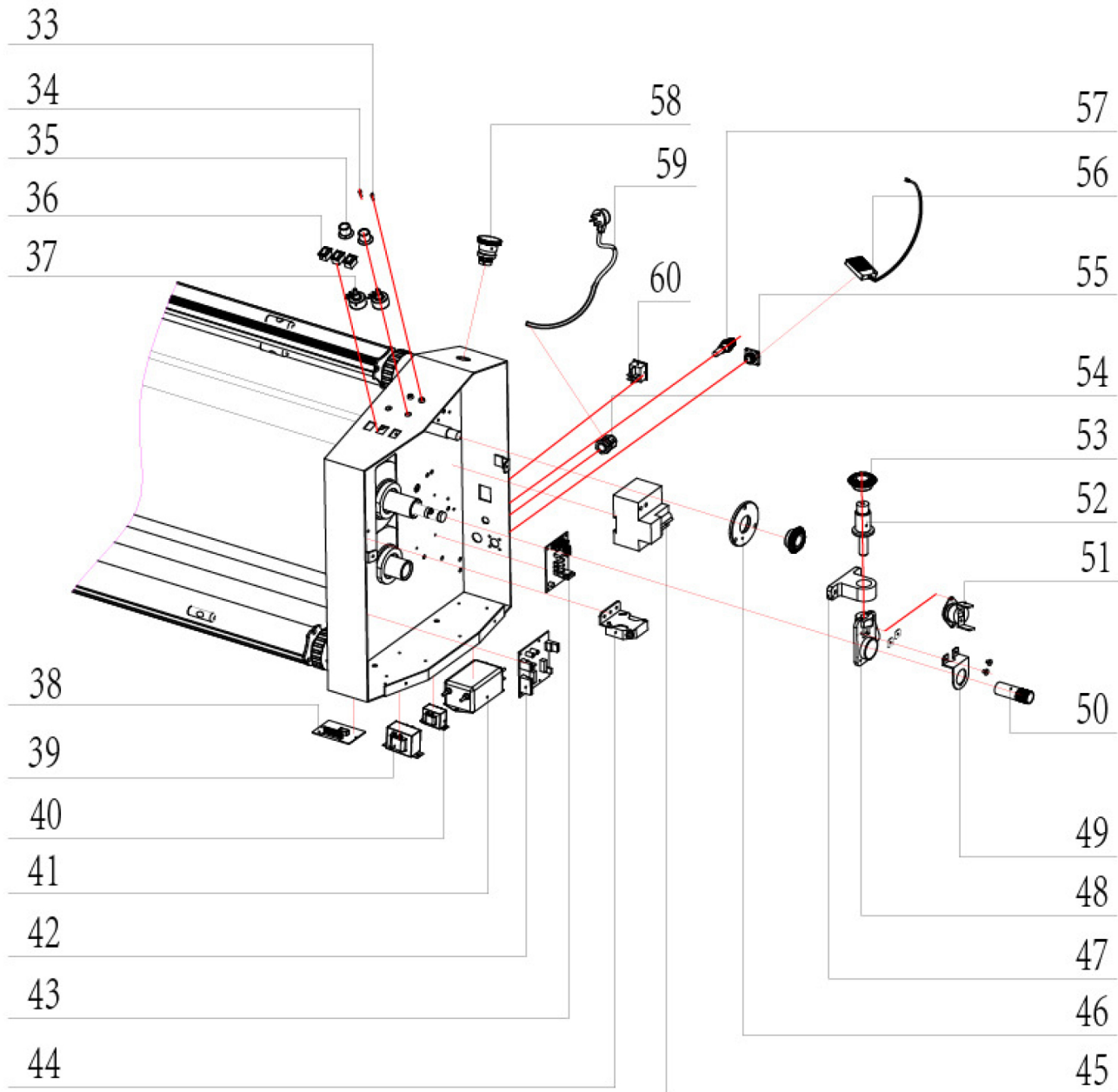


View 1- Frame and stand

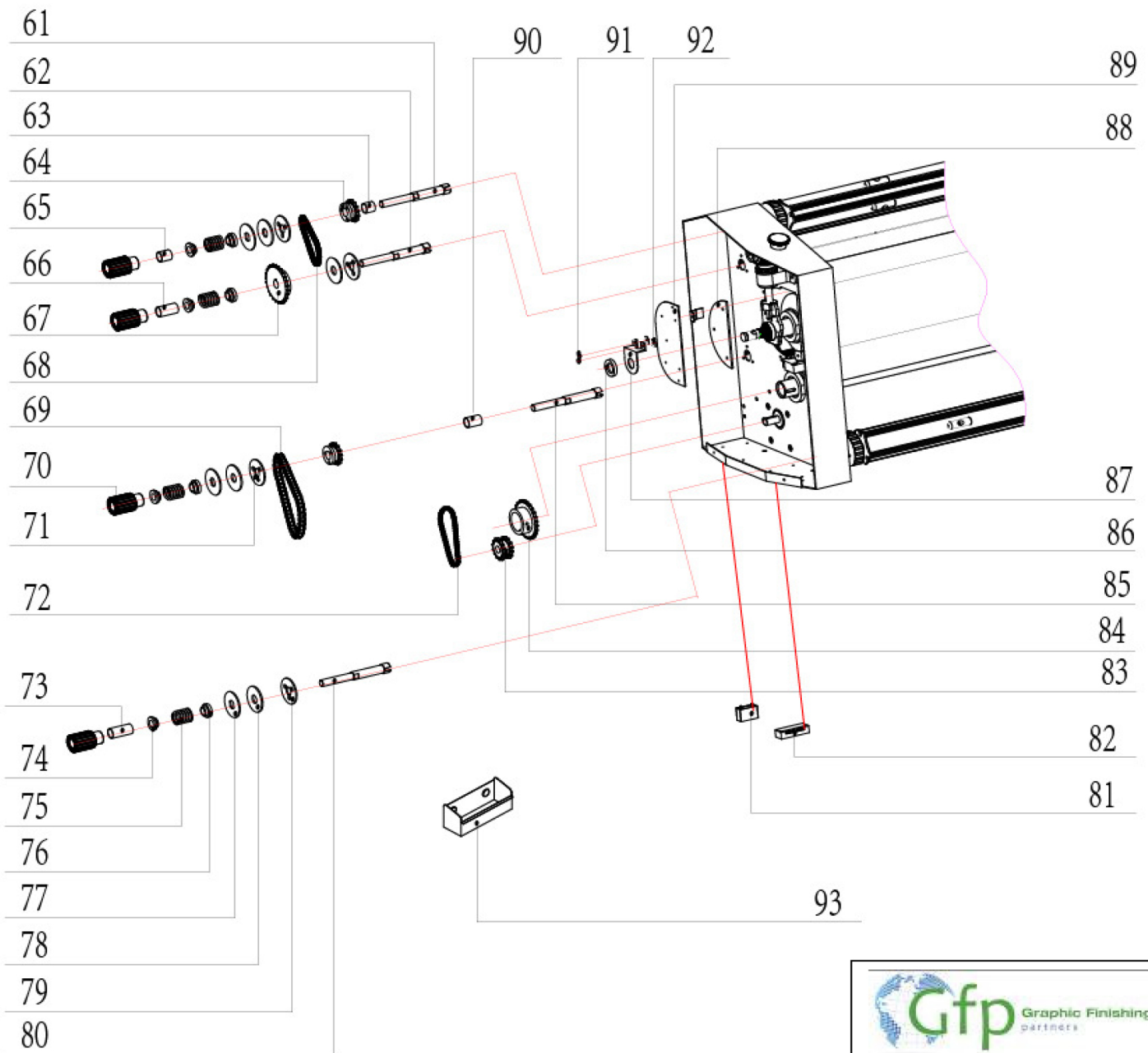


Gfp Graphic Finishing partners

View 2 – Rollers and Shafts

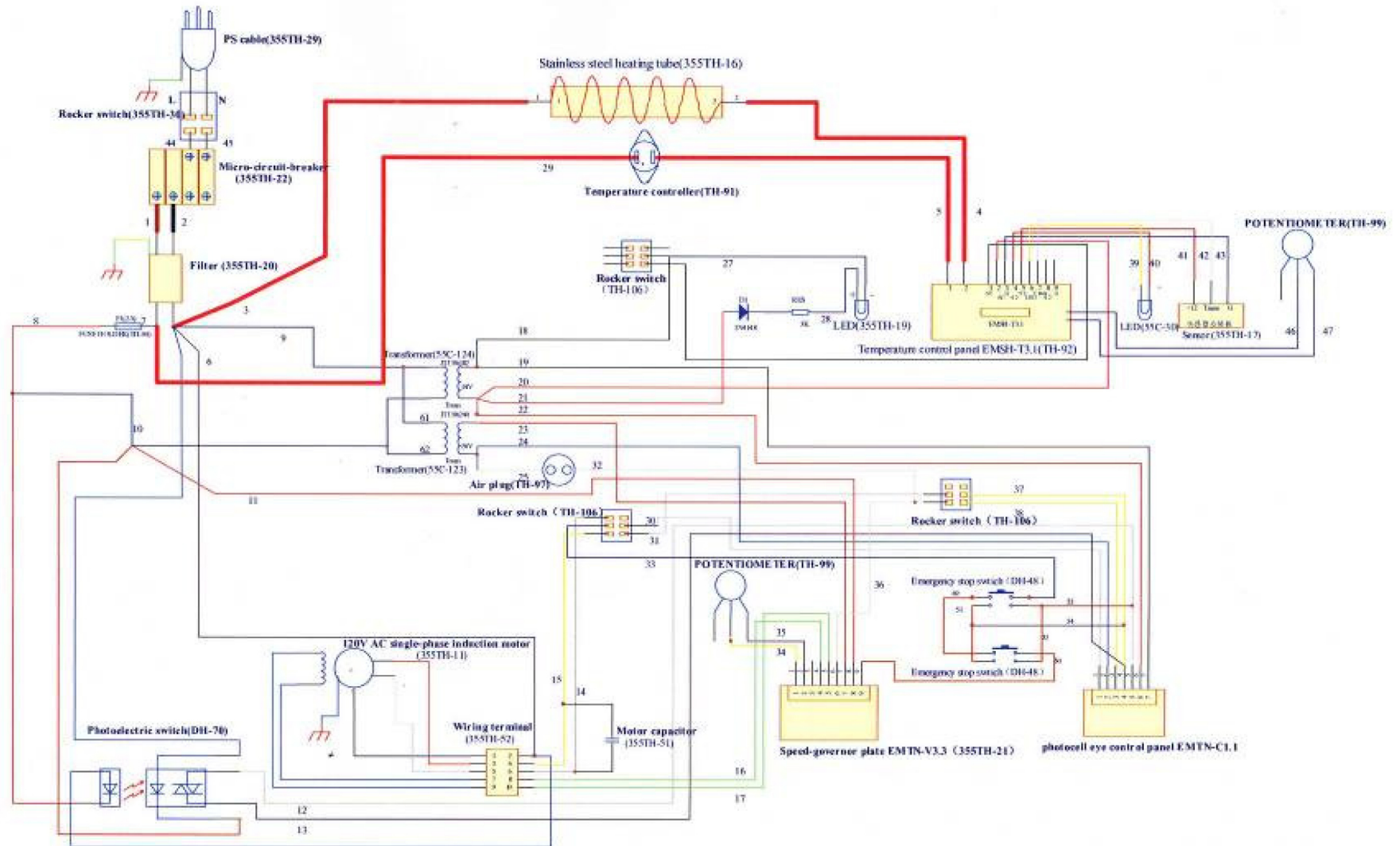







View 4 – Left side frame





View 5 – Wiring Diagram