



SERVICE MANUAL Gfp 800 Series



January 2015

Table of Contents

| | Page |
|---|------|
| 1. Parts list | 3-8 |
| 2. Exploded Drawings | |
| View 1 - Frame and Stand..... | 9 |
| View 2 - Structure and Rollers..... | 10 |
| View 3 - Left side frame..... | 11 |
| View 4 - Right side frame..... | 12 |
| View 5 - Feed tray and shield..... | 13 |
| View 6 - Upper supply mandrel assembly..... | 14 |
| View 7 - Exit table..... | 15 |
| View 8 - Lower supply mandrel assembly..... | 16 |
| View 9 - Rewind tube assembly..... | 17 |
| View 10 - Stand Assembly..... | 18 |
| View 11- Front feed unwind assembly..... | 19 |
| View 12 - Rewind motor assembly..... | 20 |
| 3. Wiring Diagram..... | 21 |

| Drawing Number | PART PREFIX | PART NUMBER | DESCRIPTION | VIEW NUMBER | STOCK ITEM |
|----------------|-------------|-------------|-----------------------------------|-------------|------------|
| 1 | DH- | 1 | Left side cover | 1 | Yes |
| 2 | DH- | 2 | Left side cabinet | 1 | |
| 3 | DH- | 3 | Allen wrench bracket | 1 | |
| 4 | DH- | 4 | Upper cover of swing out shaft | 1 | Yes |
| 5 | DH- | 5 | Upper supply mandrel bracket | 1 | Yes |
| 6 | DH- | 6 | Right cabinet | 1 | |
| 7 | DH- | 7 | Right side cover | 1 | Yes |
| 8 | TH- | 81 | Hand wheel | 1 | Yes |
| 9 | TH- | 150 | Leveling feet | 1 | Yes |
| 10 | 563- | 165 | Alignment bracket | 1-10 | Yes |
| 11 | 563- | 164 | Locating screw (8mm) | 1-10 | Yes |
| 12 | TH- | 47 | Stand locking screw | 1 | Yes |
| 13 | TH- | 31 | Brake pad | 1-6-8-11 | Yes |
| 14 | TH- | 3 | Film core adaptor/brake | 1-6-8-11 | Yes |
| 15 | 847- | 15 | Front unwind shaft | 1-11 | |
| 15 | 865- | 15 | Front unwind shaft | 1-11 | |
| 16 | DH- | 16 | Front unwind bracket | 1-11 | |
| 17 | 563- | 167 | Lower cover of swing out shaft | 1 | Yes |
| 18 | 847- | 18 | Left supporting plate | 2 | |
| 18 | 865- | 18 | Left supporting plate | 2 | |
| 19 | 847- | 19 | Pressure regulating linkage shaft | 2 | |
| 19 | 865- | 19 | Pressure regulating linkage shaft | 2 | |
| 20 | DH- | 20 | Drive motor | 2 | Yes |
| 21 | 847- | 21 | Support beam | 2 | |
| 21 | 865- | 21 | Support beam | 2 | |
| 22 | TH- | 18 | Bearing sleeve | 2 | Yes |
| 23 | 847- | 23 | Idler bar | 2 | Yes |
| 23 | 865- | 23 | Idler bar | 2 | Yes |
| 24 | 847- | 24 | Lower heating tube - Packaged | 2 | Yes |
| 24 | 865- | 24 | Lower heating tube - Packaged | 2 | Yes |

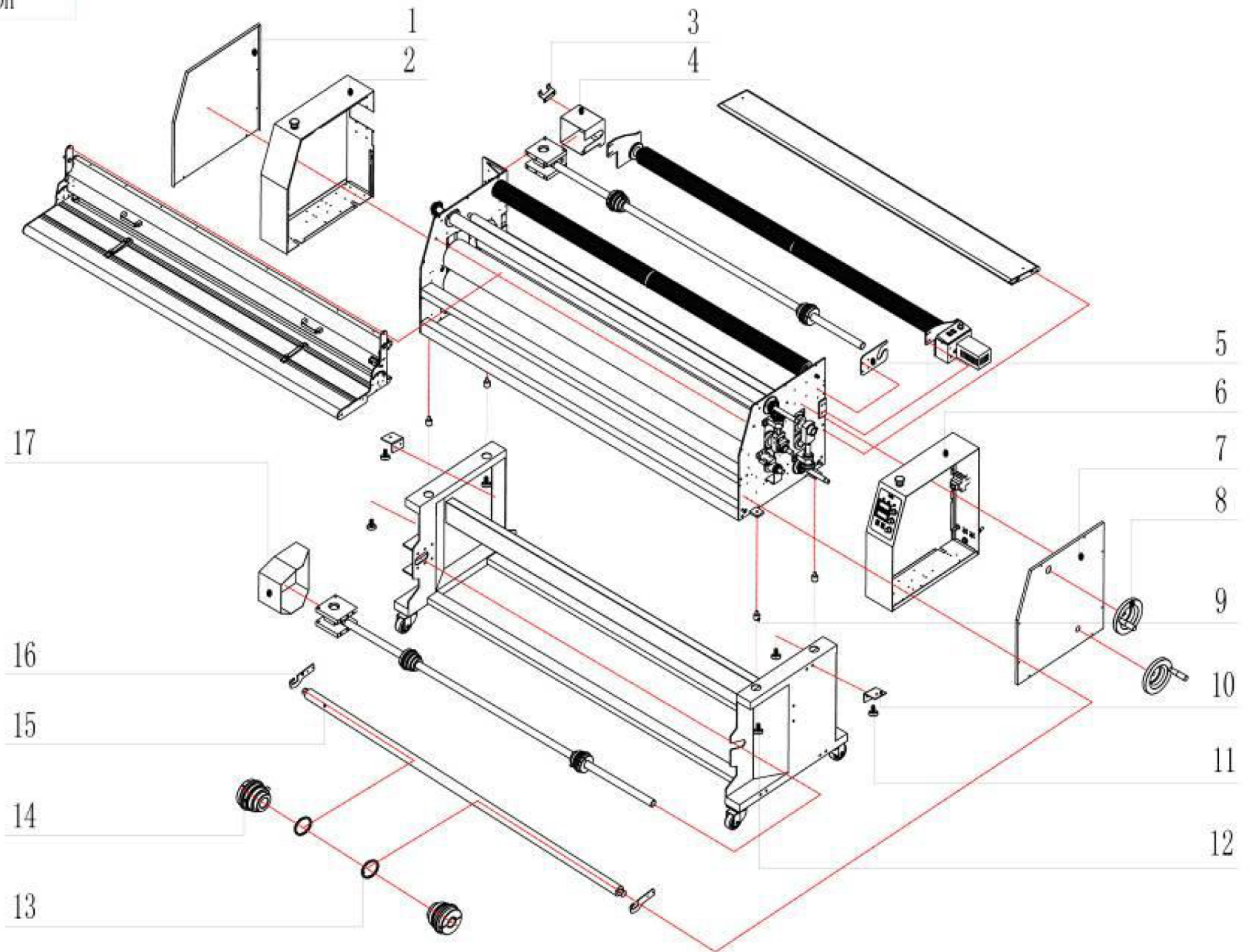
| Drawing Number | PART PREFIX | PART NUMBER | DESCRIPTION | VIEW NUMBER | STOCK ITEM |
|----------------|-------------|-------------|---|-------------|------------|
| 25 | 847- | 25 | Front lower roller | 2-3 | Yes |
| 25 | 865- | 25 | Front lower roller | 2-3 | Yes |
| 26 | 847- | 26 | Center plate | 2 | |
| 26 | 865- | 26 | Center plate | 2 | |
| 27 | DH- | 27 | Center plate support | 2 | |
| 28 | 847- | 28 | Rear lower roller | 2 | Yes |
| 28 | 865- | 28 | Rear lower roller | 2 | Yes |
| 29 | DH- | 29 | Drive sleeve of rewind tube | 2 | |
| 30 | 847- | 30 | Rewind tube | 2-9 | |
| 30 | 865- | 30 | Rewind tube | 2-9 | |
| 31 | TH- | 125 | Rewind tube friction pads (2) | 2 | Yes |
| 32 | 847- | 32 | Support beam | 2 | |
| 32 | 865- | 32 | Support beam | 2 | |
| 33 | 847- | 33 | Rear upper roller | 2 | Yes |
| 33 | 865- | 33 | Rear upper roller | 2 | Yes |
| 34 | 847- | 34 | Front upper roller | 2 | Yes |
| 34 | 865- | 34 | Front upper roller | 2 | Yes |
| 35 | 847- | 35 | Upper heat tube - Packaged | 2 | Yes |
| 35 | 865- | 35 | Upper heat tube -Packaged | 2 | Yes |
| 36 | TH- | 56 | Heat sensor | 2 | Yes |
| 37 | 847- | 37 | Sensor support beam | 2 | |
| 37 | 865- | 37 | Sensor support beam | 2 | |
| 38 | DH- | 38 | Sensor bracket | 2 | |
| 39 | 847- | 39 | Lower pressure regulating linkage shaft | 2 | |
| 39 | 865- | 39 | Lower pressure regulating linkage shaft | 2 | |
| 40 | 847- | 40 | Right support plate | 2 | |
| 40 | 865- | 40 | Right support plate | 2 | |
| 41 | TH- | 42 | Cushion of quartz tube | 3 | Yes |
| 42 | TH- | 46 | Heat roller cover plate | 3 | |
| 43 | DH- | 43 | Support plate connection board | 3 | |

| Drawing Number | PART PREFIX | PART NUMBER | DESCRIPTION | VIEW NUMBER | STOCK ITEM | |
|----------------|-------------|-------------|--|-------------|------------|--|
| 44 | DH- | 44 | Rear left pressure regulating bearing | 3 | Yes | |
| 45 | DH- | 45 | 068 link chain (102 joints) | 3 | Yes | |
| 46 | DH- | 46 | 068 link chain (114 joints) | 3 | Yes | |
| 47 | DH- | 47 | Rear roller pressure regulating block | 3 | Yes | |
| 48 | DH- | 48 | Emergency stop assembly | 3 | Yes | |
| 49 | DH- | 49 | Wiring terminal | 3 | | |
| 50 | DH- | 50 | Protective switching power supply | 3 | Yes | |
| 51 | DH- | 51 | Switching power supply | 3 | Yes | |
| 52 | DH- | 52 | Spanner | 3 | Yes | |
| 53 | DH- | 53 | Rewind tube sprocket | 3 | Yes | |
| 54 | DH- | 54 | Relay | 3 | Yes | |
| 55 | DH- | 55 | Pressure regulating bearing | 3 | Yes | |
| 56 | TH- | 43 | Support of quartz tube | 3 | Yes | |
| 57 | DH- | 57 | Clutch | 3 | Yes | |
| 58 | DH- | 58 | Medium wheel | 3 | Yes | |
| 59 | DH- | 59 | Motor sprocket | 3 | Yes | |
| 60 | 847- | 60 | Front roller sprocket | 3 | Yes | |
| 60 | 865- | 60 | Front roller sprocket | 3 | Yes | |
| 61 | DH- | 61 | Lower quartz tube support | 3 | | |
| 62 | TH- | 7 | Rewind tube bearing | 3 | Yes | |
| 63 | DH- | 63 | Cable support | 3 | Yes | |
| 64 | TH- | 16 | Angle gear | 3 | Yes | |
| 65 | DH- | 65 | Rear roller pressure regulating position shaft | 3 | Yes | |
| 66 | DH- | 66 | Solid state relay | 4 | Yes | |
| 67 | TH- | 89 | Heat sink | 4 | | |
| 68 | TH- | 116 | Control plate of photocell eye | 4 | Yes | |
| 69 | DH- | 69 | Temperature control board | 4 | Yes | |
| 70 | DH- | 70 | Photocell eye | 4 | Yes | |
| 71 | TH- | 40 | Pressure regulating locating shaft | 4 | Yes | |
| 72 | TH- | 41 | Pressure regulating bearing seat | 4 | Yes | |

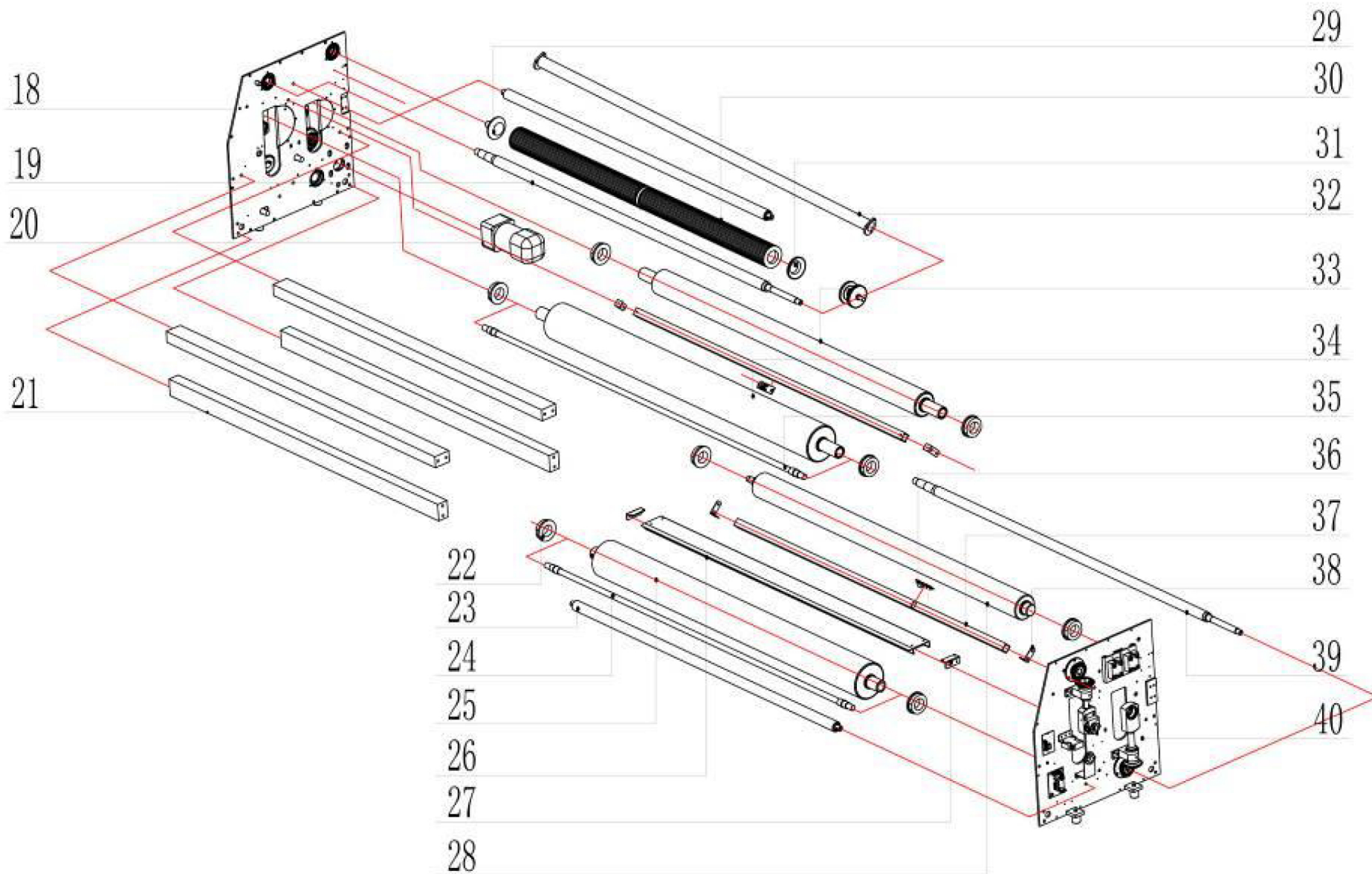
| Drawing Number | PART PREFIX | PART NUMBER | DESCRIPTION | VIEW NUMBER | STOCK ITEM |
|----------------|-------------|-------------|-------------------------------------|-------------|------------|
| 73 | TH- | 99 | Potentiometer (temperature control) | 4 | |
| 74 | DH- | 74 | Light emitting diodes | 4 | Yes |
| 75 | TH- | 104 | LCD temperature display | 4 | Yes |
| 76 | TH- | 106 | Control panel switch | 4 | Yes |
| 77 | TH- | 105 | Knob | 4 | Yes |
| 78 | DH- | 78 | Potentiometer (speed control) | 4 | Yes |
| 79 | DH- | 79 | Fuse support | 4 | |
| 80 | TH- | 94 | Fuse | 4 | Yes |
| 81 | DH- | 81 | 240v transformer | 4 | Yes |
| 82 | DH- | 82 | Speed regulating board | 4 | Yes |
| 83 | DH- | 83 | Wiring terminal | 4 | Yes |
| 84 | DH- | 84 | Power switch | 4 | Yes |
| 85 | DH- | 85 | Filter | 4 | Yes |
| 86 | TH- | 114 | Safety foot pedal | 4 | Yes |
| 87 | DH- | 87 | Wire grip | 4 | |
| 88 | TH- | 113 | Rewind motor connector | 4 | Yes |
| 89 | DH- | 89 | Power cord | 4 | Yes |
| 90 | DH- | 90 | Wire grip | 4 | Yes |
| 91 | DH- | 91 | Protective tube | 4 | |
| 92 | DH- | 92 | Leakage protector | 4 | |
| 93 | DH- | 93 | Front cover left positioning pin | 5 | Yes |
| 94 | TH- | 63 | Left feed table bracket | 5 | Yes |
| 95 | TH- | 70 | Side guide screw | 5 | Yes |
| 96 | TH- | 68 | Side guide knob | 5 | Yes |
| 97 | DH- | 97 | Front cover retaining screw | 5 | Yes |
| 98 | TH- | 69 | Side guide | 5 | Yes |
| 99 | 847- | 99 | Feed tray | 5 | |
| 99 | 865- | 99 | Feed tray | 5 | |
| 100 | 847- | 100 | Print hold down | 5 | Yes |
| 100 | 865- | 100 | Print hold down | 5 | Yes |


| Drawing Number | Part PREFIX | Part NUMBER | DESCRIPTION | View NUMBER | STOCK ITEM |
|----------------|-------------|-------------|-------------------------------|-------------|------------|
| 101 | DH- | 101 | Print hold down bolt | 5 | Yes |
| 102 | DH- | 102 | Square handle | 5 | Yes |
| 103 | 847- | 103 | Safety shield beam | 5 | Yes |
| 103 | 865- | 103 | Safety shield beam | 5 | Yes |
| 104 | 847- | 104 | Safety shield | 5 | Yes |
| 104 | 865- | 104 | Safety shield | 5 | Yes |
| 105 | DH- | 105 | Shield right positioning pin | 5 | Yes |
| 106 | DH- | 106 | Shield spring | 5 | Yes |
| 107 | DH- | 107 | Locking pin | 5 | Yes |
| 108 | TH- | 64 | Positioning pin of feed table | 5 | Yes |
| 109 | TH- | 62 | Feed table washer | 5 | Yes |
| 110 | TH- | 67 | Right feed table bracket | 5 | Yes |
| 111 | DH- | 111 | Left stand leg | 10 | |
| 112 | TH- | 83 | Caster without brake | 10 | Yes |
| 113 | TH- | 82 | Caster with brake | 10 | Yes |
| 114 | 847- | 114 | Middle supporting beam | 10 | |
| 114 | 865- | 114 | Middle supporting beam | 10 | |
| 115 | 847- | 115 | Lower supporting beam | 10 | |
| 115 | 865- | 115 | Lower supporting beam | 10 | |
| 116 | DH- | 116 | Right stand leg | 10 | |
| 117 | 563- | 168 | Supply shaft locating plate | 6-8 | Yes |
| 118 | 563- | 171 | Upper swing out assembly | 6-8 | Yes |
| 119 | 847- | 119 | Upper supply mandrel assembly | 6 | Yes |
| 119 | 865- | 119 | Upper supply mandrel assembly | 8 | Yes |
| 120 | 847- | 121 | Rewind tube assembly | 9 | Yes |
| 120 | 865- | 121 | Rewind tube assembly | 9 | Yes |
| 121 | 847- | 122 | Stand assembly | 10 | Yes |
| 121 | 865- | 122 | Stand assembly | 10 | Yes |
| 122 | TH- | 21 | Right exit table bracket | 7 | |
| 123 | 847- | 124 | Exit table | 7 | |
| 123 | 865- | 124 | Exit table | 7 | |

| Drawing Number | Part PREFIX | Part NUMBER | DESCRIPTION | View NUMBER | STOCK ITEM |
|----------------|-------------|-------------|--------------------------------|-------------|------------|
| 124 | TH- | 23 | Left exit table bracket | 7 | |
| 125 | DH- | 125 | Positioning pin of rear panel | 7 | |
| 126 | 847- | 127 | Front feed unwind assembly | 11 | |
| 126 | 865- | 127 | Front feed unwind assembly | 11 | |
| 127 | 847- | 128 | Lower supply mandrel assembly | 8 | Yes |
| 127 | 865- | 128 | Lower supply mandrel assembly | 8 | Yes |
| 128 | 563- | 169 | Lower swing out assembly | 8 | Yes |
| 129 | TH- | 142 | Right rewind bracket | 12 | |
| 130 | TH- | 136 | Drive sleeve of rewind tube | 12 | |
| 131 | TH- | 141 | Left rewind bracket | 12 | |
| 132 | TH- | 139 | Rewind bearing | 12 | |
| 133 | TH- | 107 | Rewind motor switch | 12 | Yes |
| 134 | TH- | 149 | Potentiometer | 12 | Yes |
| 135 | TH- | 135 | Upper cover | 12 | |
| 136 | TH- | 148 | Wind up wiring board | 12 | |
| 137 | TH- | 144 | Spacer plate | 12 | |
| 138 | TH- | 146 | Wind up motor capacitor | 12 | |
| 139 | TH- | 143 | Left supporting case | 12 | |
| 140 | TH- | 137 | Coupler of wind up motor | 12 | |
| 141 | DH- | 220 | 220v rewind motor assembly | 12 | Yes |
| 142 | TH- | 138 | Wind up motor cover | 12 | |
| 143 | TH- | 148 | Wind up motor board | 12 | |
| 144 | TH- | 8 | Drive sleeve of rewind tube | 9 | |
| 145 | TH- | 12 | Locating sleeve of rewind tube | 9 | |
| 146 | TH- | 13 | Rewind tube gasket | 9 | |
| 147 | TH- | 14 | Rewind tube spring | 9 | Yes |
| 148 | TH- | 15 | Pressure adjustment nut | 9 | |
| 149 | TH- | 11 | Locating shaft of rewind tube | 9 | |
| 150 | TH- | 10 | Core stop clip | 9 | Yes |
| | | | | | |
| | | | | | |

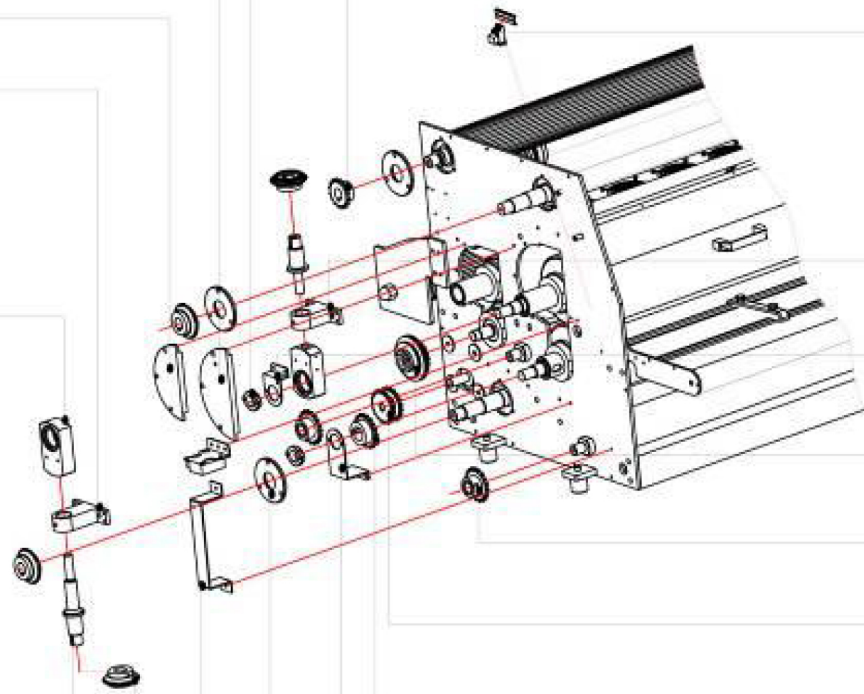
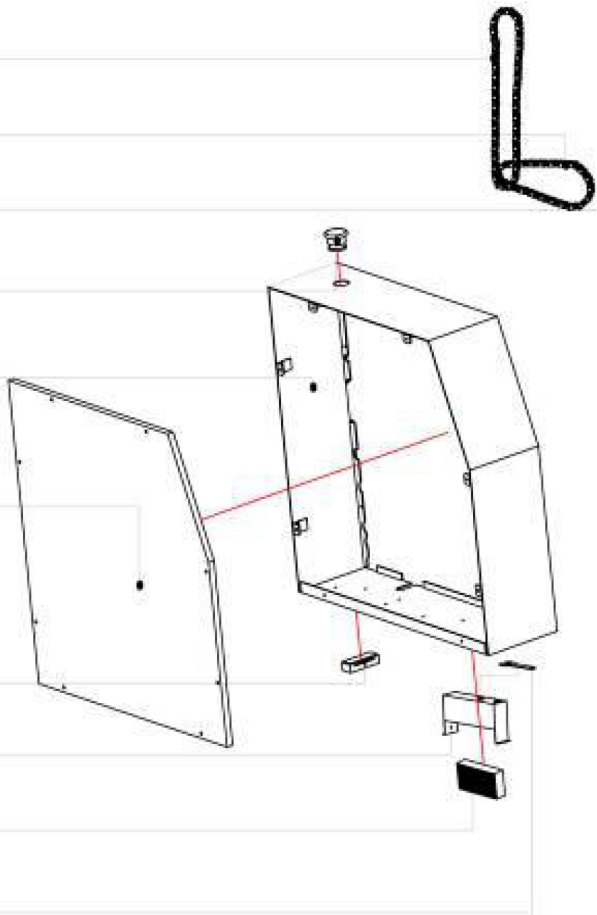


 **View 1- Frame and Stand**



 View 2 – Structure and Rollers

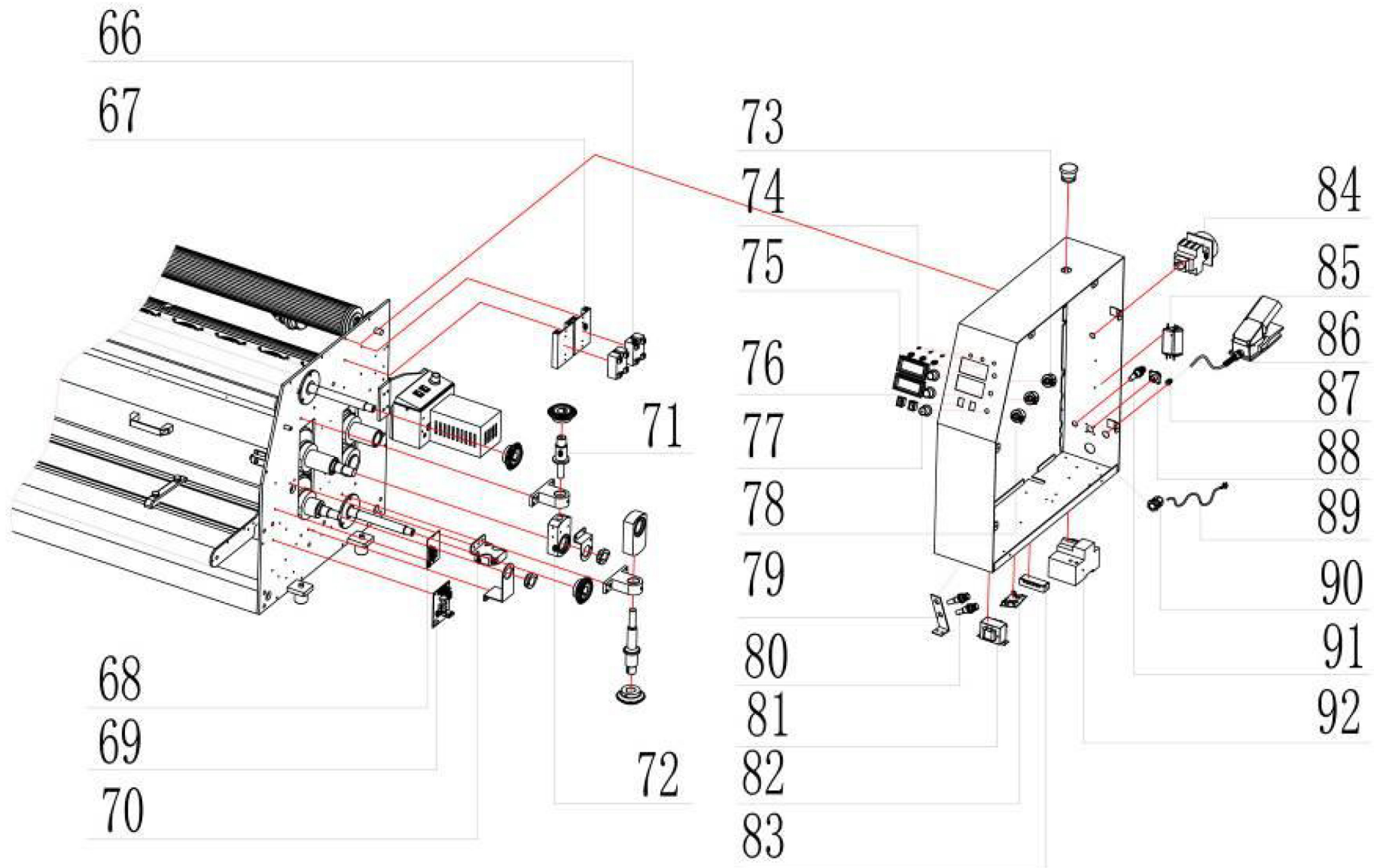
- 41
- 42
- 43
- 44
- 45
- 46
- 47
- 48
- 2
- 1
- 49
- 50
- 51
- 52




- 53
- 54
- 55
- 56
- 57
- 58
- 59
- 60
- 61
- 62
- 63
- 64
- 65

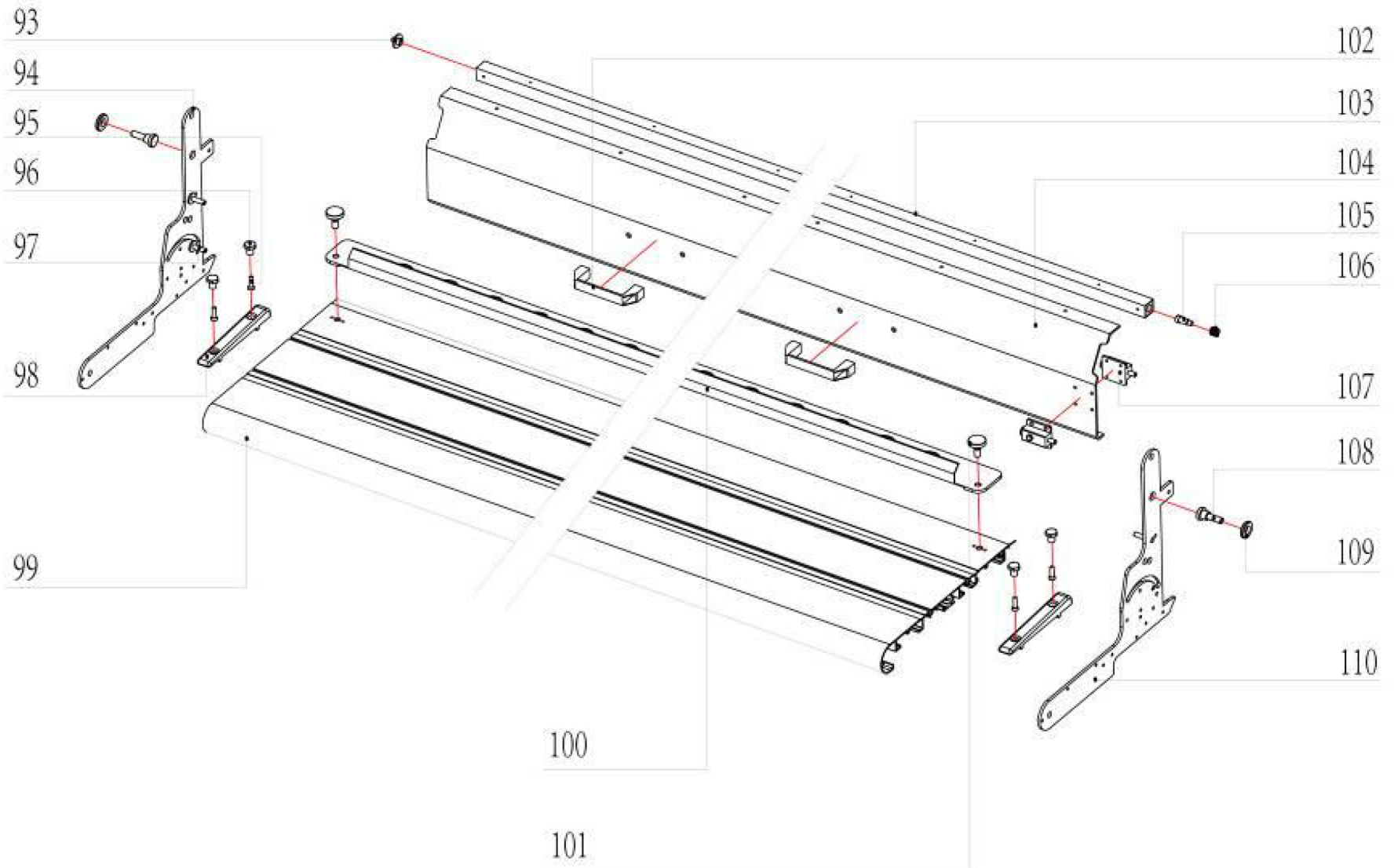


View 3 – Left side frame



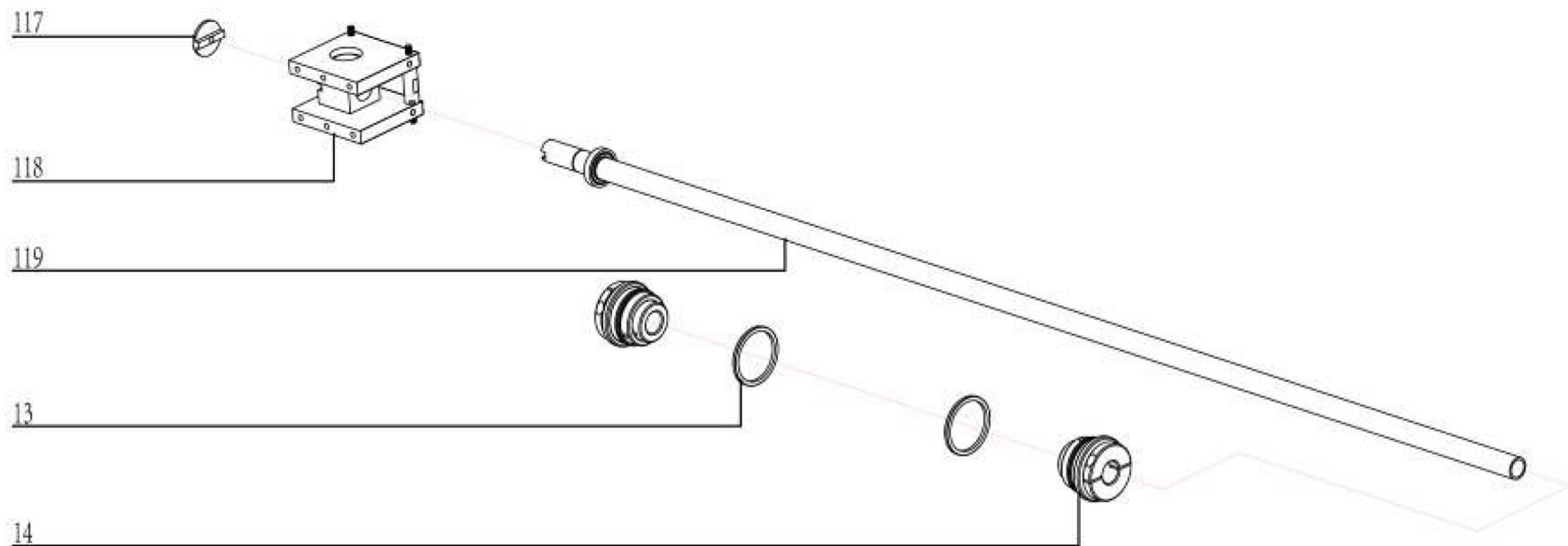
 View 4 – Right side frame

847DH

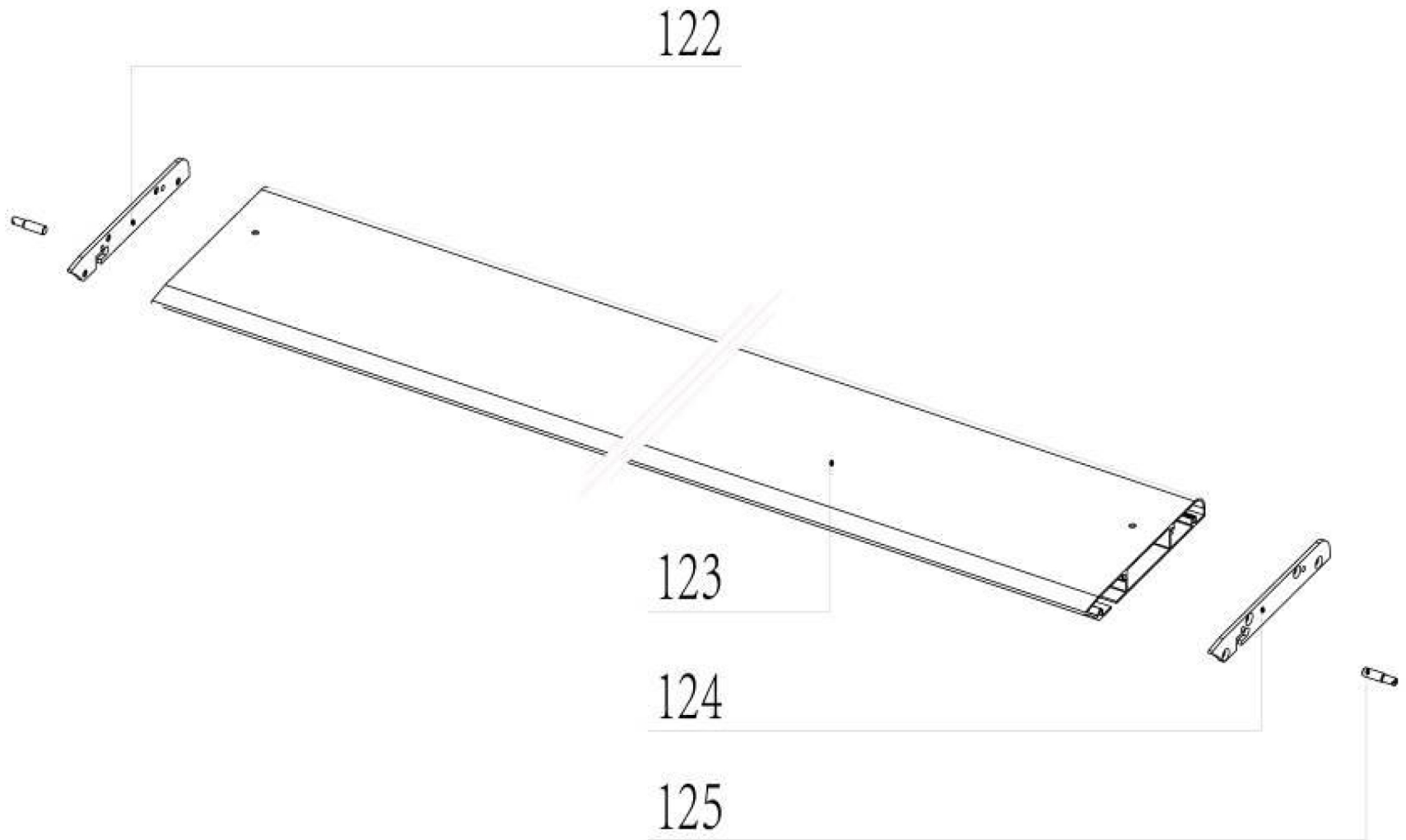



View 5- Feed tray and shield

847DH



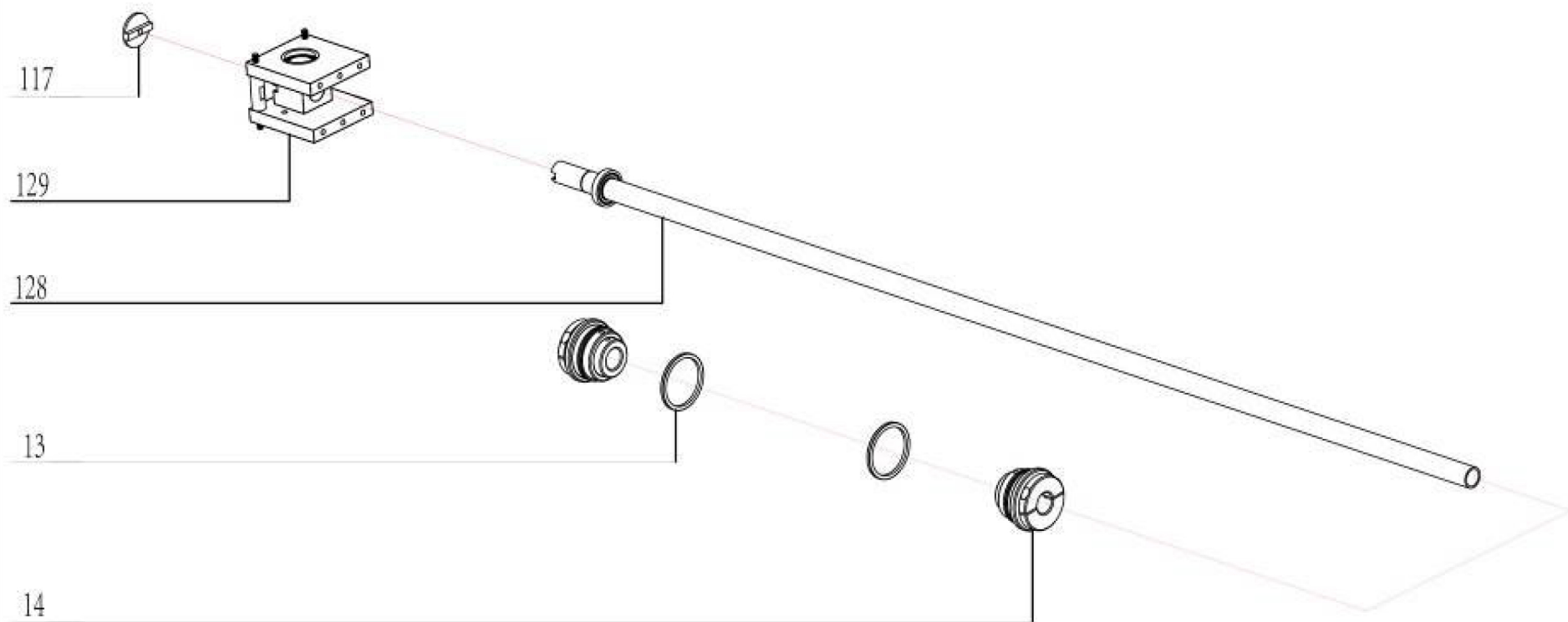
View 6
119 - Upper supply mandrel assembly



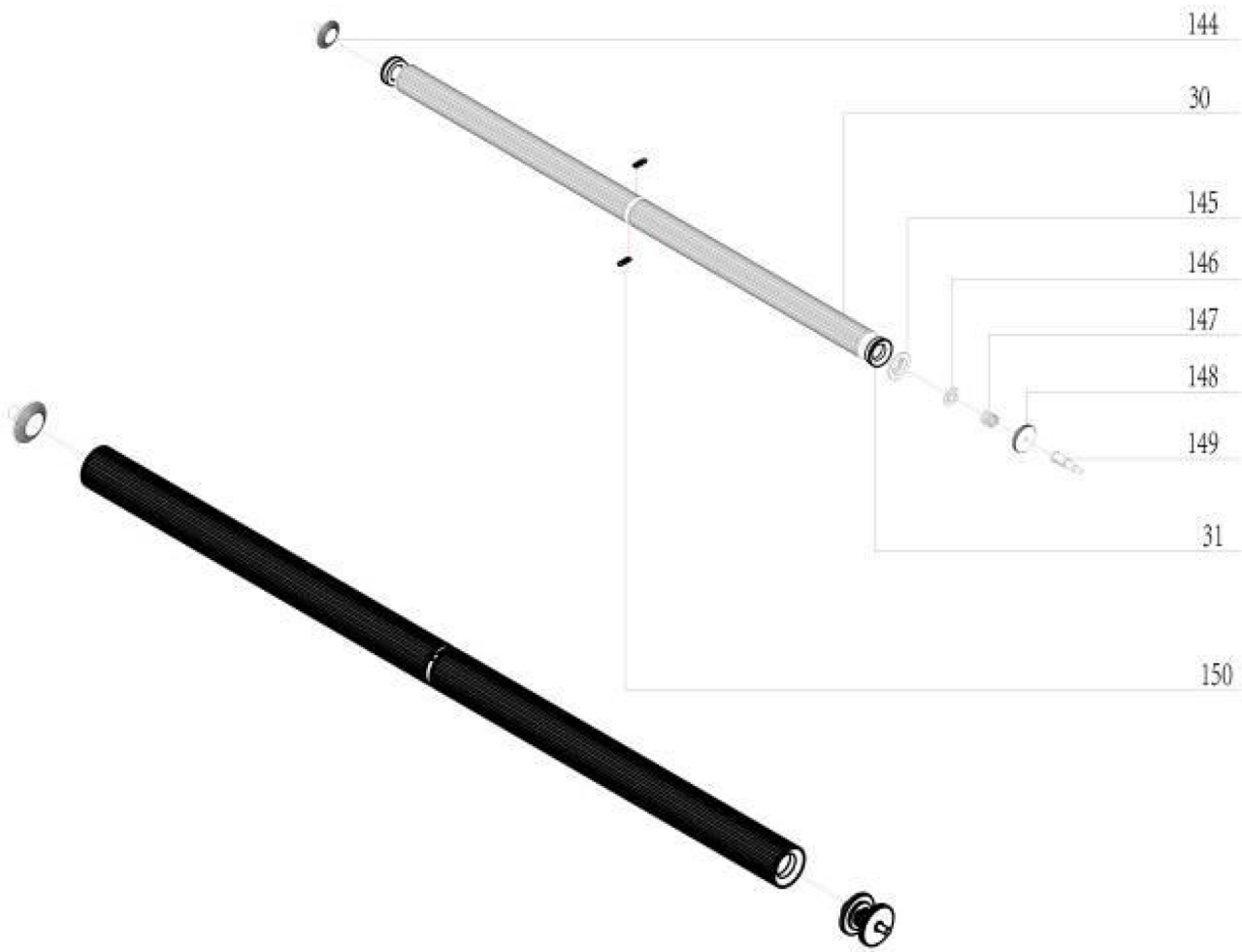
 **Gfp** Graphic Finishing
More than Binding... Much More

View 7 – Exit table

847DH

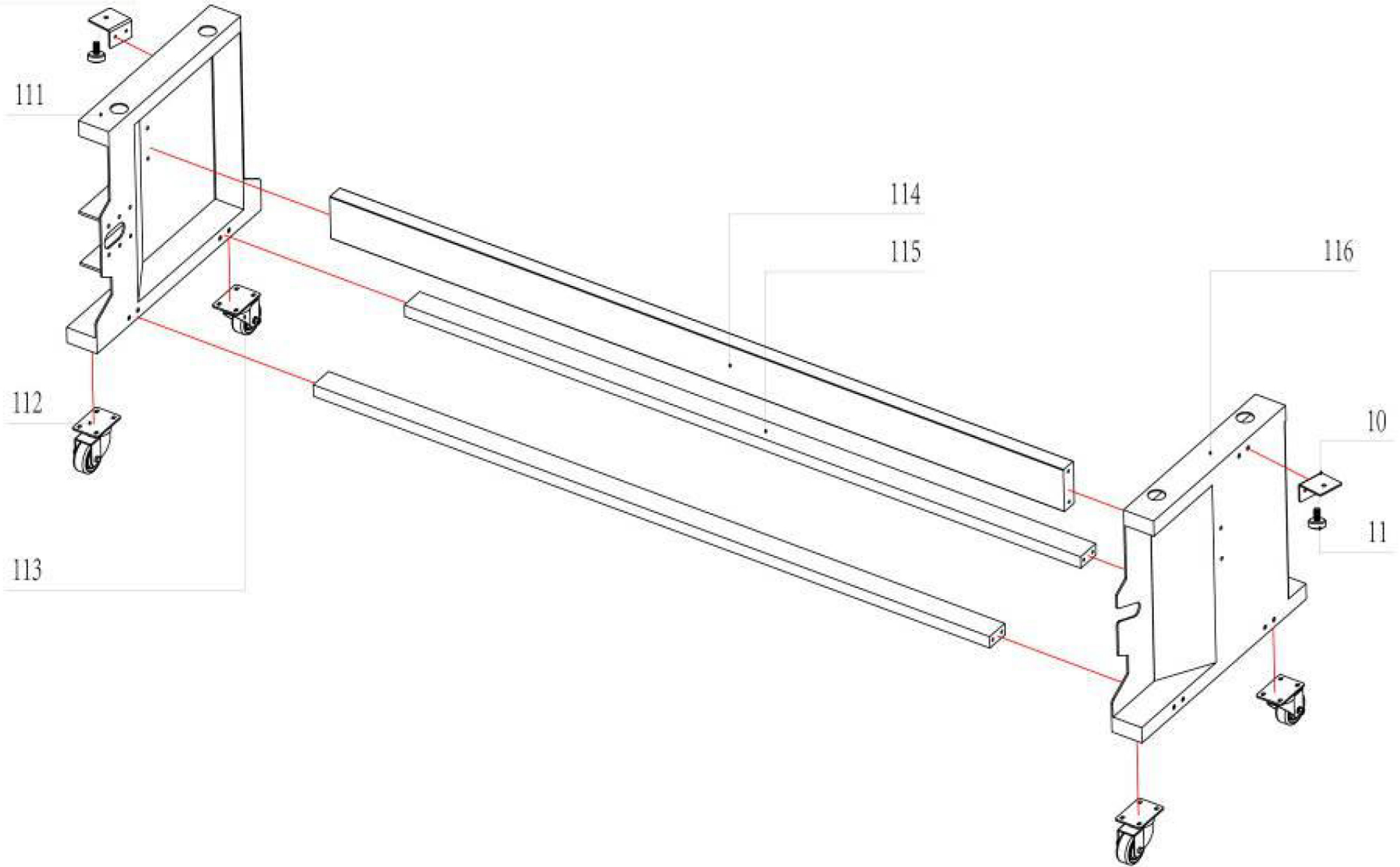


View 8
128 - Lower supply mandrel assembly



View 9
121 – Rewind tube assembly

847DH



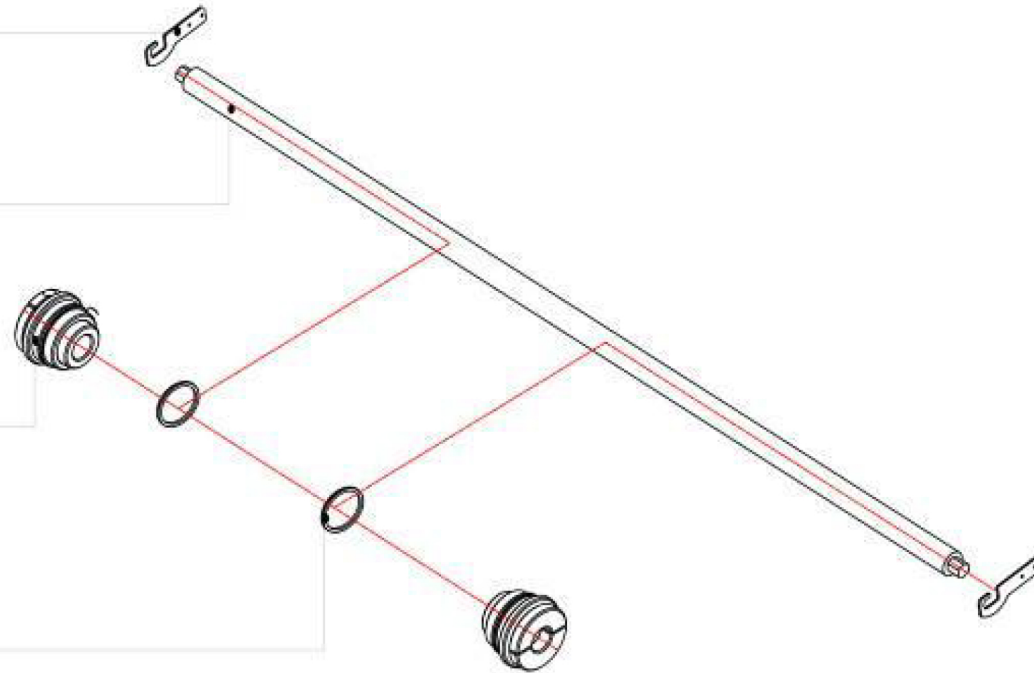
View 10
122 – Stand assembly

16

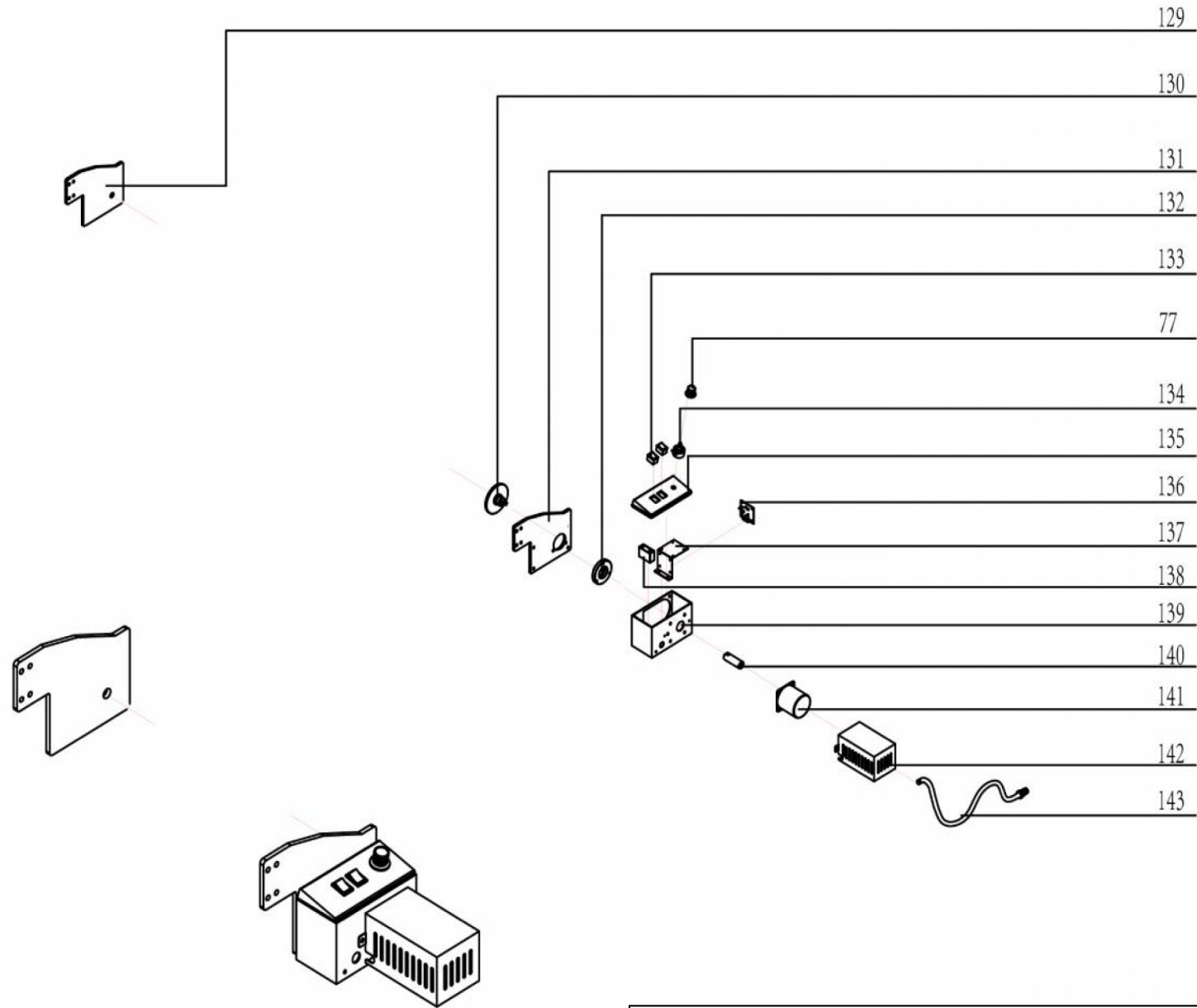
15


14

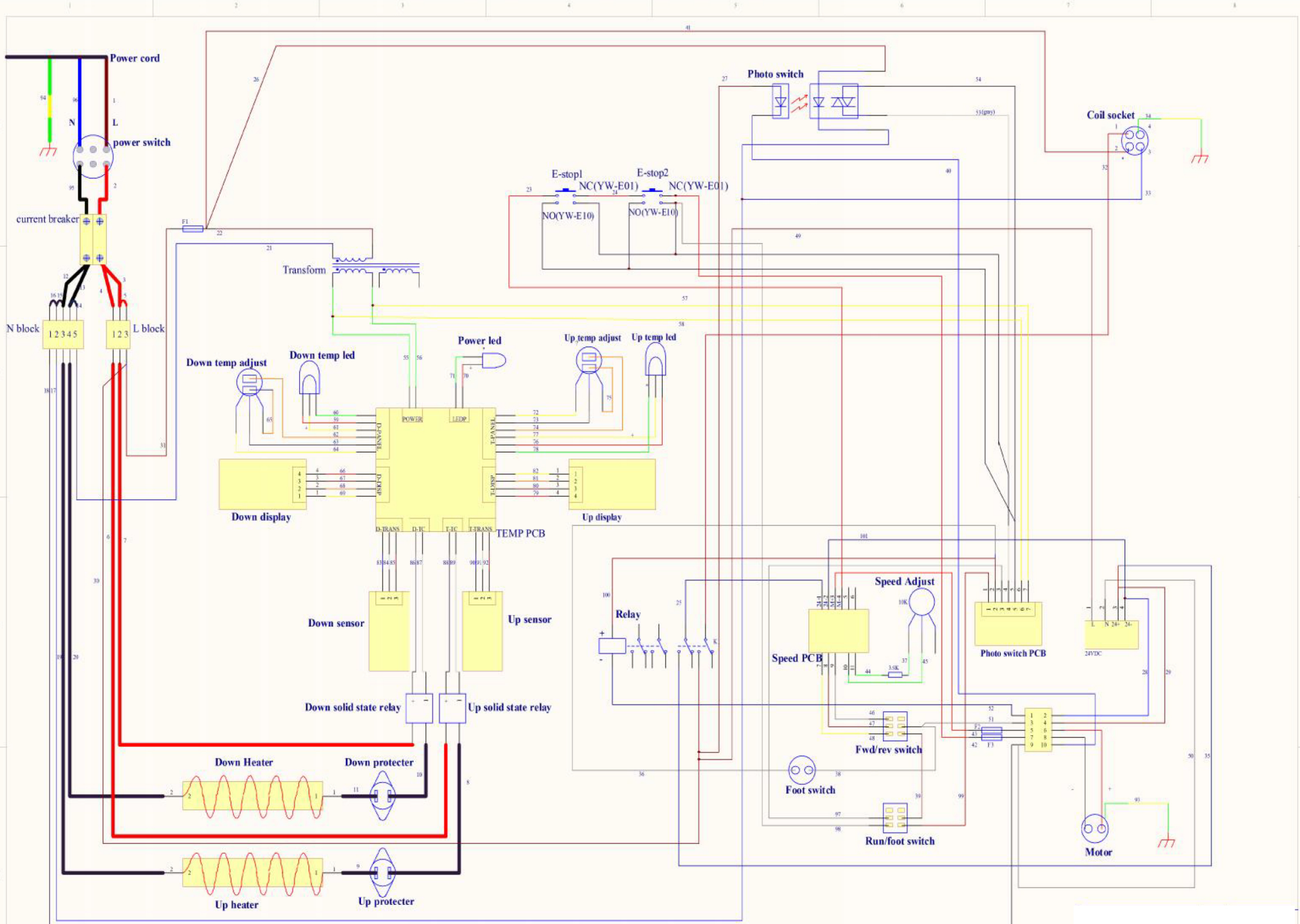
13



View 11
127 – Front feed unwind assembly



 View 12
DH-220 Rewind motor assembly



800 Series Wiring Diagram