

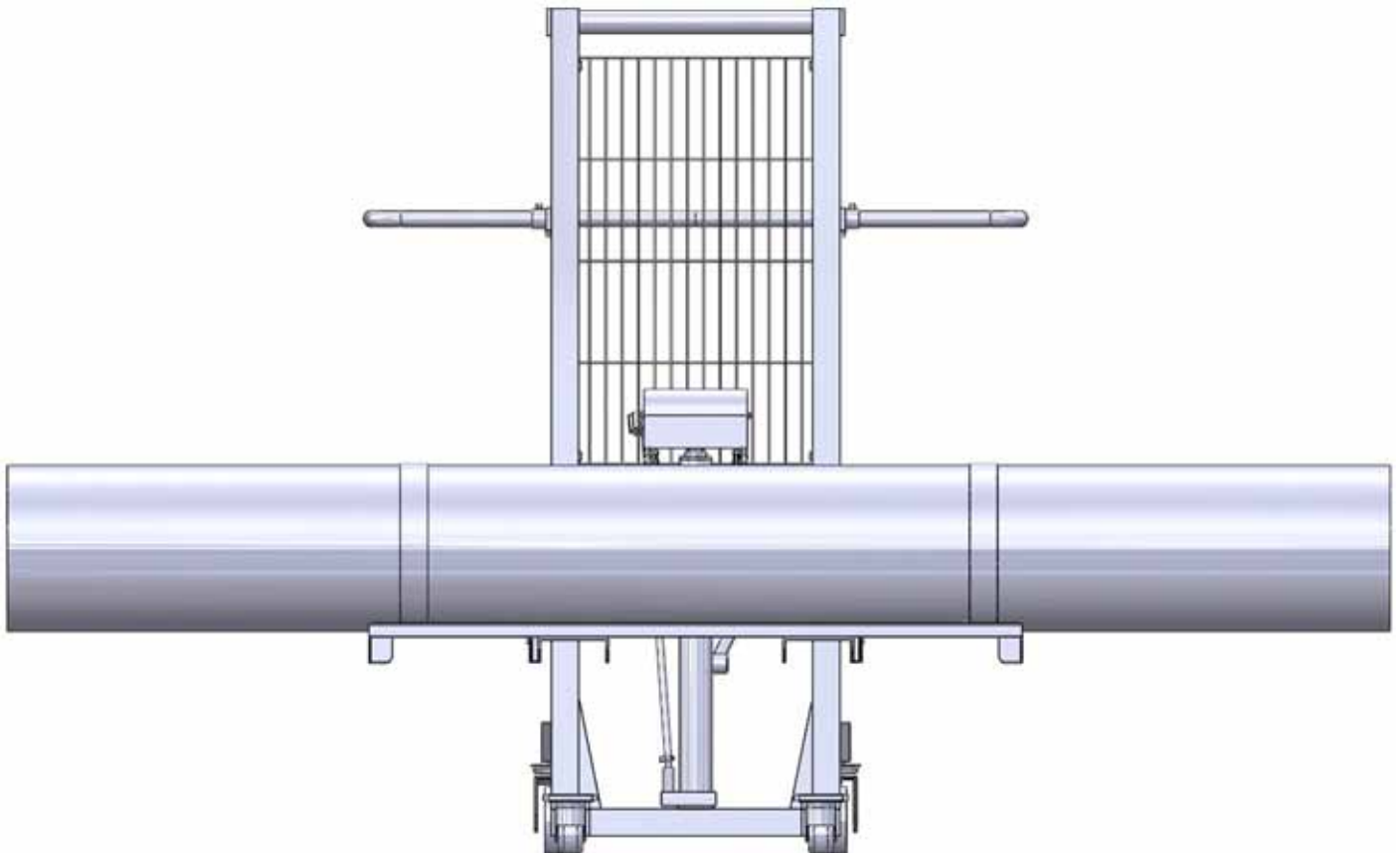
# ***Foster***

## **On-A-Roll Lifter®** **Instruction Manual for Jumbo Models**

### **Read Before Use!**

Important instructional, safety and precautionary information!

It is the user's responsibility to exercise good judgment, common sense, safety measures and reasonable limits regarding the use of the On-A-Roll Lifter® so as not to incur risk to the user or damage to the materials being carried. In order to obtain maximum benefit from your machine, please read these instructions carefully before using the On-A-Roll Lifter®.



# Contents

---

## **1. Warnings & Safety Rules**

- 1.1 Warnings
- 1.2 Caution
- 1.3 Safety Rules

## **2. Daily Inspection**

- 2.1 What to check before operation

## **3. Installation Guide**

- 3.1 Packing list
- 3.2 Installing the Push Bar
- 3.3 Installing the Media Tray

## **4. Operation**

- 4.1 How to use the brakes
- 4.2 Loading the roll onto the tray
- 4.3 Lifting the tray
- 4.4 Lowering the tray
- 4.5 Maneuvering with heavy rolls

## **5. Maintenance**

- 5.1 Lubrication Points

## **6. Technical Data**

- 6.1 Technical Specifications

## **7. Warranties**

# Warnings & Safety Rules

---

## 1.1 Warnings

1. Do not put your hands or feet under the load tray.
2. All unconcerned personnel should be more than 60 cm away from the unit while the rolls are in transit, or being lifted.
3. Do not move the unit while a load is being raised.
4. Do not move the unit without securing the rolls with the straps.
5. Do not move the unit with tray raised more than a couple inches to avoid tip overs and vision obstruction.
6. Do not operate the lifter if the straps are frayed or damaged.
7. Do not put your foot in front of the swivel wheel; injury could occur when the load is lowered.
8. Do not operate the machine beyond its rated capacities, or outside of the machines' normal operation.
9. Do not operate the media lifter on uneven surfaces.
10. Do not lift persons. People could fall and suffer severe injury.

## 1.2 Caution

1. Operators should read and understand the instructions before using the On-A-Roll Lifter® to avoid injury.
2. The On-A-Roll Lifter® is used to lift or lower rolls of media (e.g. paper rolls) within specified capacity and should not be used for other functions.
3. Do not operate unless you have been trained or authorized to do so.
4. Do not lower the load at fast speed, as it creates unsafe conditions.
5. Care should be given to the balance and orientation of loads. Unbalanced or shifting loads can cause danger to the operator or bystanders. If the load becomes unstable, stop work immediately.
6. The weight of the roll should be distributed evenly on the load tray. The center of gravity of the goods should be in the center of the load tray width.
7. Do not modify or repair the unit without written consent from the manufacturer.
8. Remove the loaded goods from the lifter and use safety breaks to prevent the lifer from moving when servicing it.
9. This lifter is not designed to be water resistant. If not in use, please store in dry conditions and lower the load tray to the lowest position for stability.

# Warnings & Safety Rules

---

## 1.3 Safety Rules

**Failure to obey the instructions and safety rules in this document may result in serious injury.**

1. **Do not operate unless you:**
  - a) Understand and practice the principles of safe machine operation specified in this manual:
    - Avoid hazardous situations
    - Always perform a pre-operation inspection
    - Always perform the function tests (see step 2.1) prior to use
    - Inspect the workplace
  - b) Read, understand and obey:
    - Manufacturer's instructions and safety rules
    - Employer's safety rules and worksite regulations
    - Applicable governmental regulations
  
2. **To avoid hazardous situations:**
  - Do not overload the lifter
  - Make sure media roll is balanced on the Load Tray and steady
  - The media roll is secured with two straps
  - Do not raise the load unless the machine is on a firm, level surface
  - Do not move the lifter with the raised load, except for minor positioning
  - Do not tilt the lifter back with raised load
  - Do not operate the lifter in strong and gusty winds
  - Prior to use, inspect the work area for drop-offs, holes, bumps, debris, unstable surfaces or other possible hazardous conditions
  - Do not subject the lifter to horizontal force by raising or lowering a fixed or overhanging load
  - The lifter can only be used in a lighted environment at least 50LUX
  
3. **Collision Hazards:**
  - Do not lift the load if not properly centered on the Load Tray
  - Check the work area for overhead obstruction or other possible hazards
  - Do not stand under or allow personnel under the lifter when the load is raised
  - Do not lower the load unless the area below is clear of personnel and obstructions

# Warnings & Safety Rules

---

## 1.3 Safety Rules

4. **Bodily Injury Hazards:**
  - Keep hands and fingers away from chain, wheels and other potential pinch points
  - Recommend operators wear safety shoes and gloves
  - Do not put your feet under the load tray
  
5. **Improper Use Hazard:**
  - Never leave a machine unattended with the load. Unauthorized personnel may attempt to operate the machine without proper instruction, creating an unsafe situation.
  
6. **Damaged Machine Hazards:**
  - Do not use a damaged or malfunctioning machine
  - Be sure all the decals are in place and visible
  - Maintain proper lubrication of the chain
  
7. **Other Items:**
  - When turning and pushing the machine on rough flooring, more effort will be required
  - Keep rolls centered to avoid them tipping to the side
  - When working on sloped surfaces, secure straps around media to avoid movement of rolls toward the rear of the lifter

**Failure to obey the instructions and safety rules in this document may result in serious injury.**

# Daily Inspection

---

## 2.1 What to check before operation

**It is the operator's responsibility to make sure that the On-A-Roll Lifter® is inspected daily to ensure safe operation:**

Check the On-A-Roll Lifter® before operation:

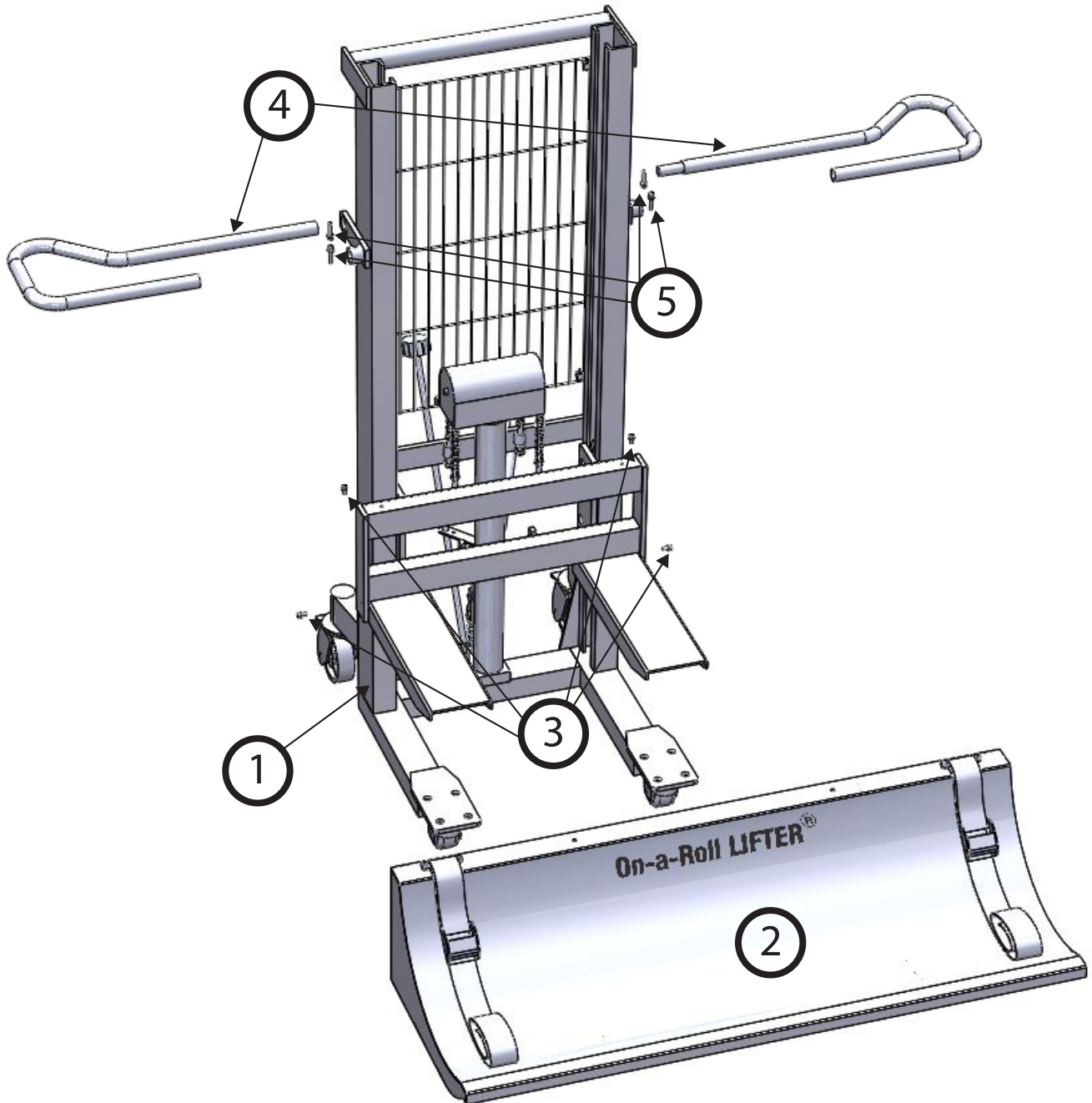
1. Inspect the vertical guide rails, load tray, carriage and hydraulic components for damage, including bending, cracking and loose or missing hardware. Do not use the On-A-Roll Lifter® if any faults are discovered during your visual inspection.
2. Inspect the hydraulic system and nearby surfaces for evidence of leaks. Discontinue use if leaking is evident.
3. Inspect the (4) caster wheels for damage and smooth operation. Wheels should rotate and swivel smoothly, and should not be cracked, chipped or broken. Do not use if wheels are damaged or broken.
4. Check the function of the brake. Ensure the parking brakes on the rear casters are working properly.
5. Ensure all hardware is present and fitted correctly. Inspect/tighten any loose fasteners or hardware.

**Caution: Do not use the unit if any malfunction or fault is found.**

# Installation Guide

## 3.1 Packing List

### Unpacking your machine:

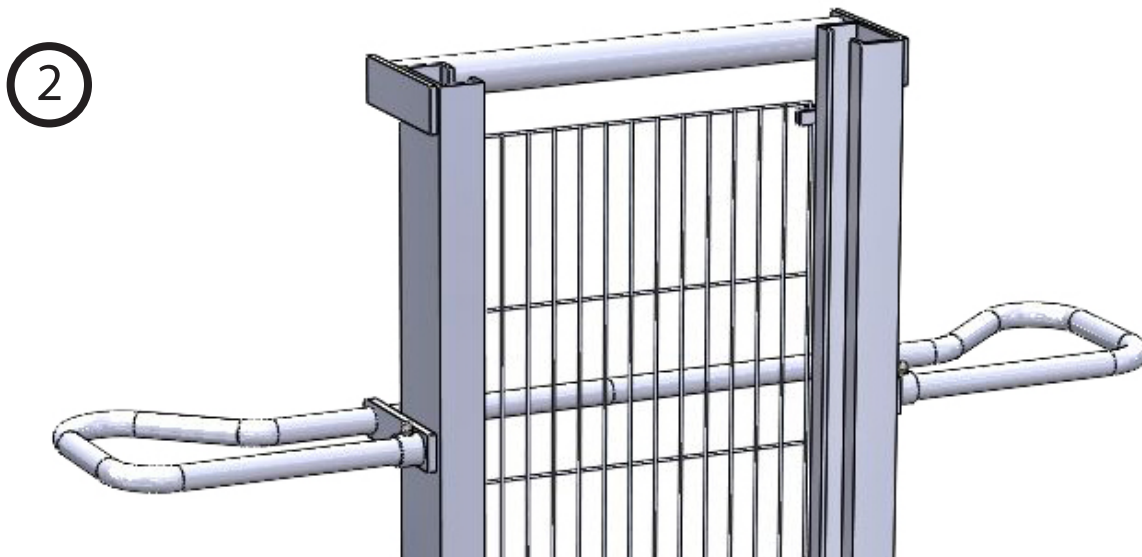


1. Lifter Frame
2. Media Tray
3. 4 M6 x 12mm Bolts & 4 Washers installed on Lifter Frame
4. Ergonomic Pull Bar
5. 4 M6 x 19mm Bolts installed on Carriage Support Frame

# Installation Guide

## 3.2 Installing the Push Bar

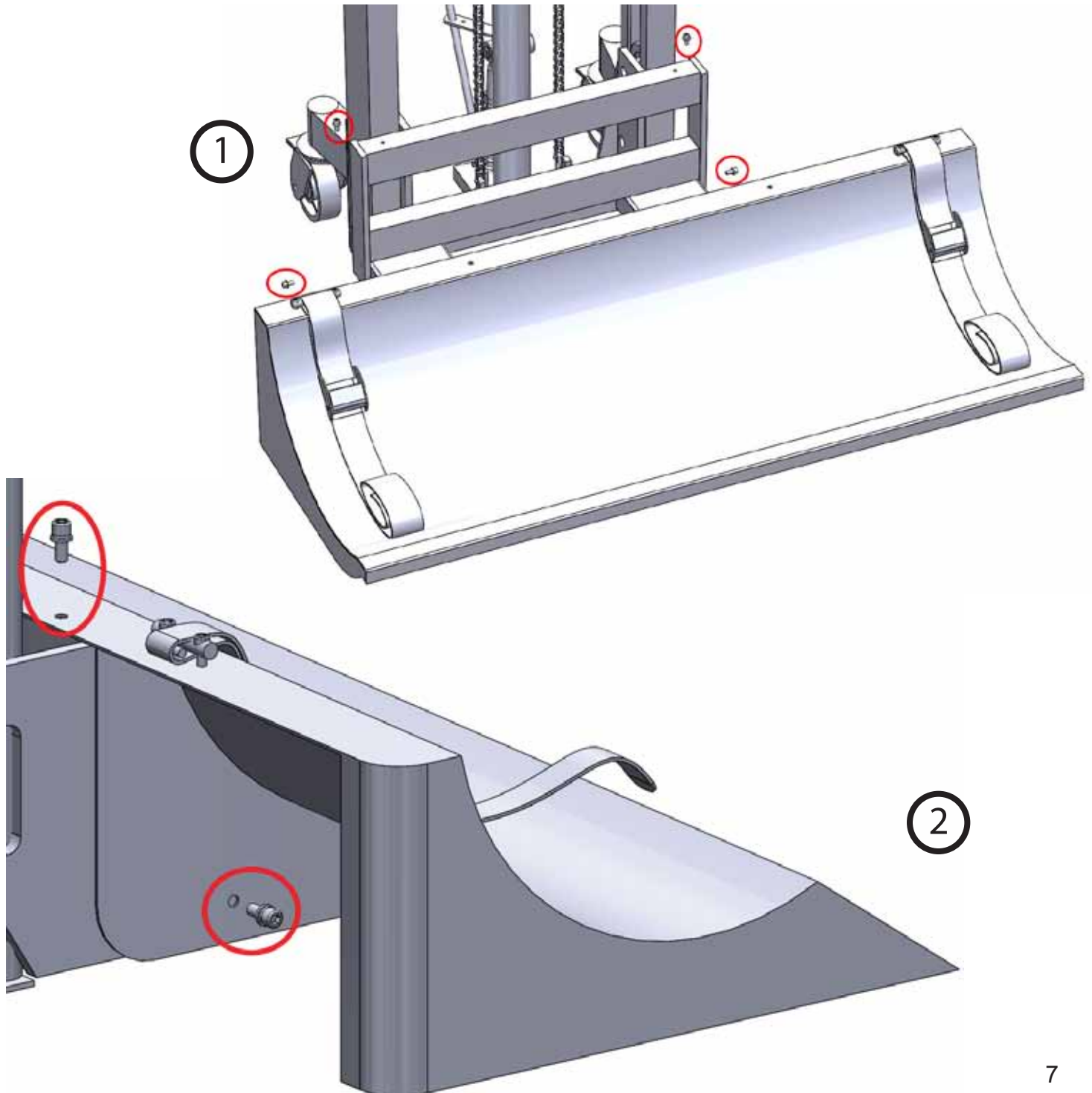
1. Using the 5mm Allen Key, loosen the 4 bolts enough to allow the pull bar entry through the openings.
2. Insert both sides of the pull bar with the curved ends facing towards the back.
3. Line up the holes on the pull bars with the 4 bolts.
4. Tighten the 4 bolts.



# Installation Guide

## 3.3 Installing the Media Tray

1. Remove the 4 screws and washers from the tray base on the main body. There will be 2 screws on top and 1 screw on each side of the Lifter.
2. Place the tray on the lifter carriage.
3. Tighten all 4 screws, attaching the Media Tray to the On-A-Roll Lifter®.



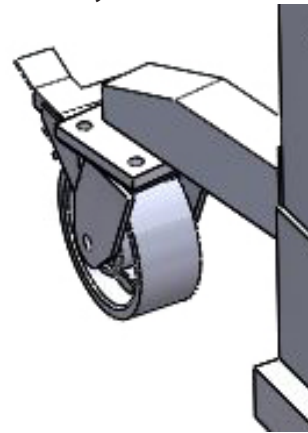
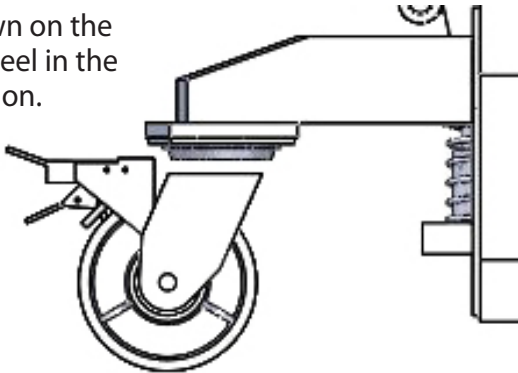
# Operation

## 4.1 How to use the brakes

The Lifter is equipped with 2 brakes.

1. To engage the brake, press the "ON" tab down with your foot until it locks into place.
2. To release the brake, press the "OFF" tab down with your foot.

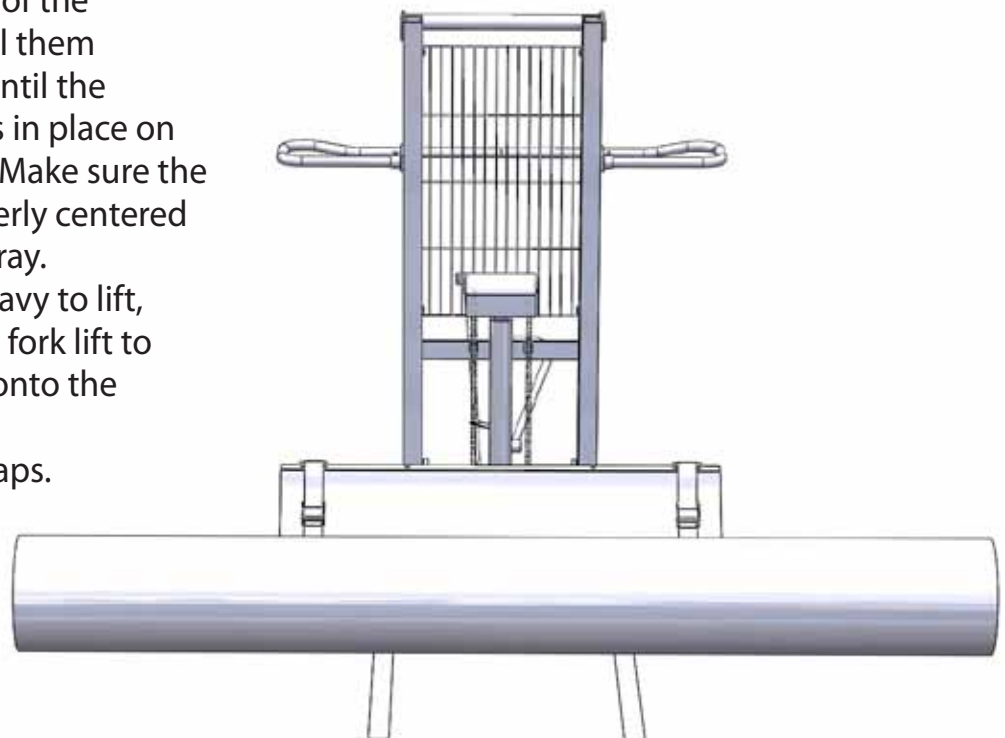
Lock shown on the  
Caster Wheel in the  
lock position.



Lock shown on the  
Caster Wheel in the  
unlock position.

## 4.2 Loading the roll onto the tray

1. Ensure the load tray is at its lowest position.
2. Make sure the brakes are applied.
3. Lay out the securing straps across the load tray, and extended onto the floor.
4. Position the media over the straps, and up to the edge of the load tray.
5. Move towards the back of the On-A-Roll Lifter®.
6. Take the ends of the straps and pull them towards you until the roll media falls in place on the load tray. Make sure the media is properly centered in the media tray.
7. If roll is too heavy to lift, carefully use a fork lift to place the roll onto the media tray.
8. Secure the straps.

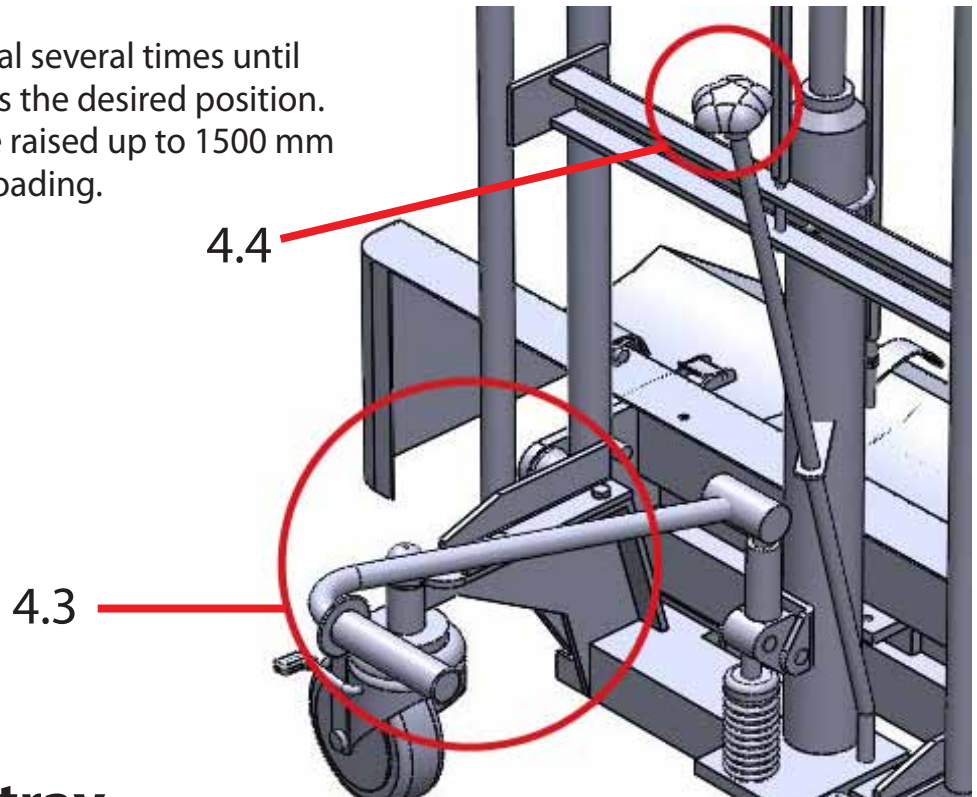


# Operation

## 4.3 Lifting the tray

**Warning: Do not overload the load tray. The load must be evenly distributed on the Load Tray surface so that it does not tilt forward or sideways. The parking brakes should be engaged whenever the On-A-Roll Lifter® is being loaded or unloaded.**

1. To raise the load tray, pump the lift pedal with your foot.
2. Press the lifting pedal several times until the load tray reaches the desired position. The load tray can be raised up to 1500 mm (59") for precise unloading.



## 4.4 Lowering the tray

**Warning: do not put any part of the body under the Load Tray. The parking brakes should be engaged whenever the On-A-Roll Lifter® is being loaded or unloaded.**

1. To lower the load tray, turn the release valve knob counterclockwise slowly.
2. Do not open the release valve too quickly, as this creates a dangerous work environment.

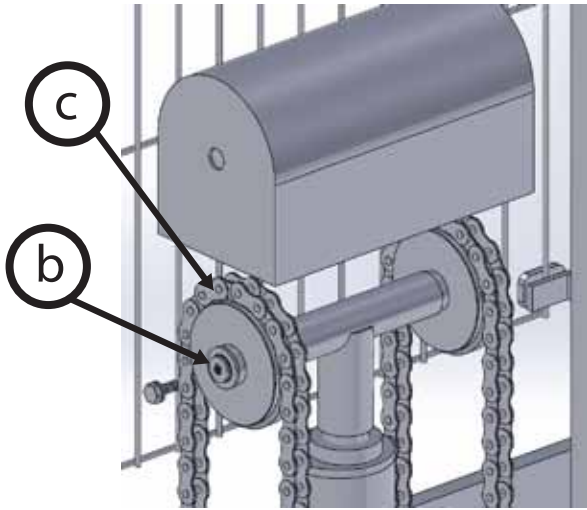
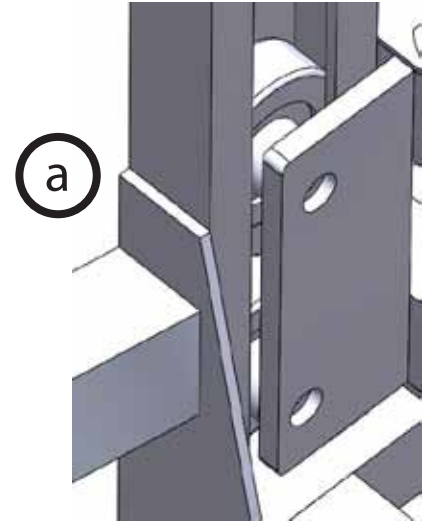
## 4.5 Maneuvering with heavy rolls

1. To adjust the direction of the wheels and ensure smooth rolling action on heavy loads, exert force on the curved handle and simultaneously lift the unit with the Push Bar.

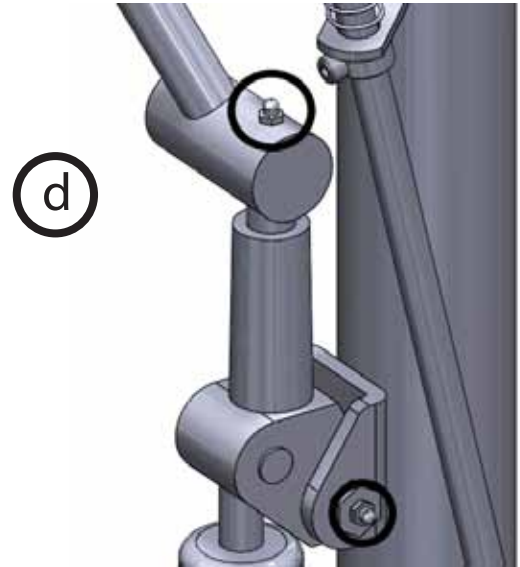
# Maintenance

## 5.1 Lubrication Points

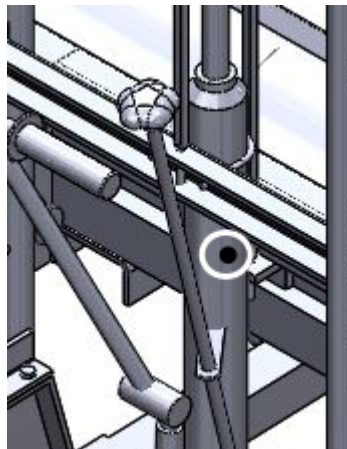
1. Lubricate with grease each point described below each month:
  - a) Axle and bearing wheels
  - b) Chain guide roller on cylinder
  - c) Connecting chain assembly
  - d) Injection fittings located on the Lift Pump handle assembly



Remove screw to access the chain guide.



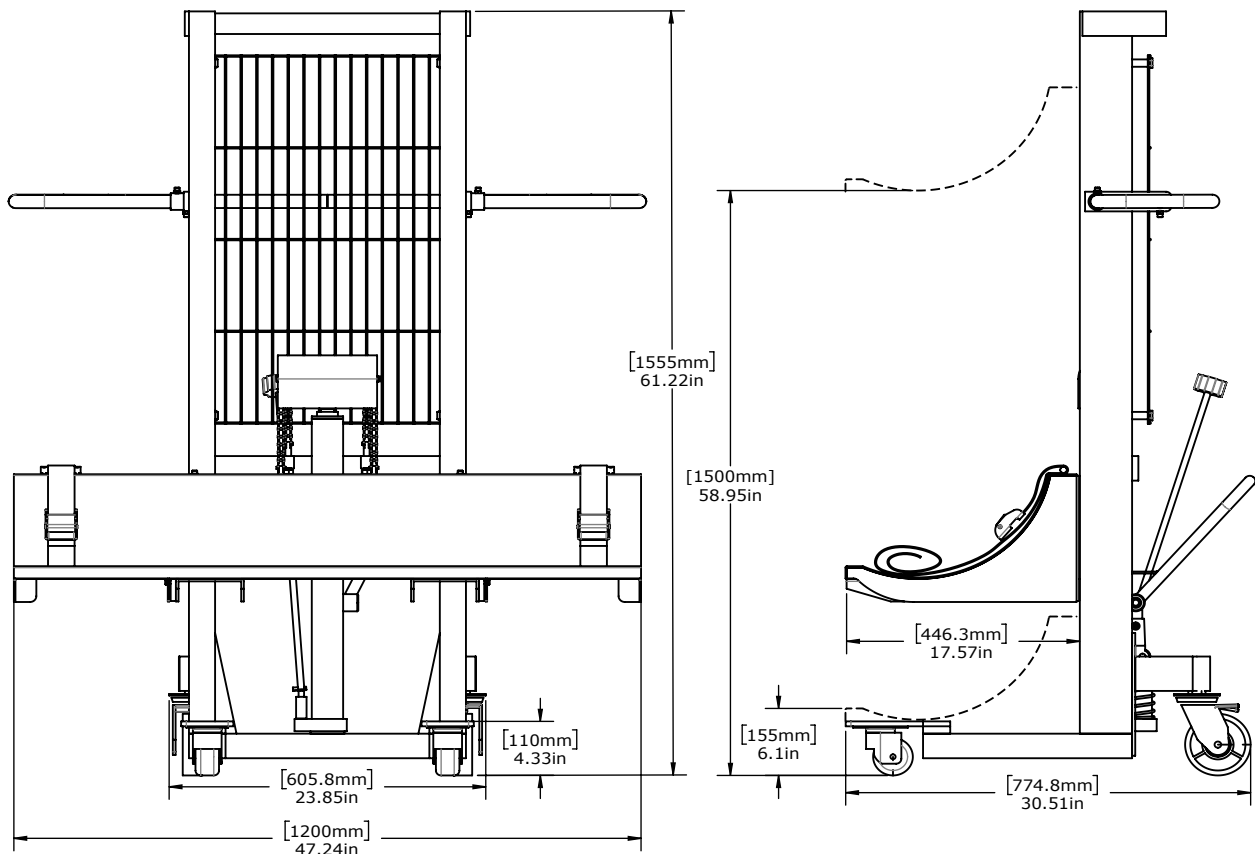
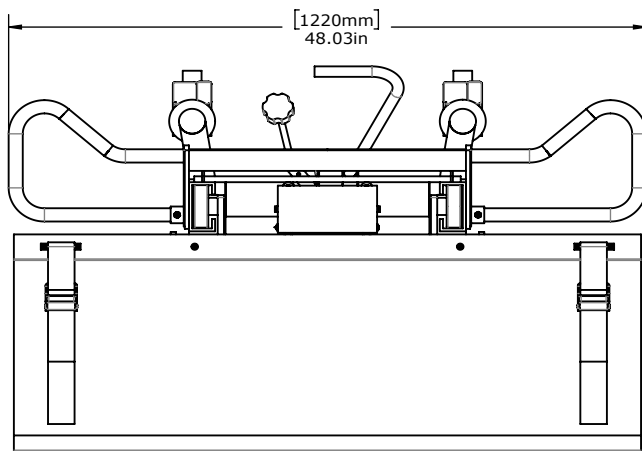
2. Change hydraulic oil every 12 months.



# Technical Data

## 6.1 Technical specifications

Specifications	LIFTER ITEM # 61577
Roll Weight Capacity	990 lbs (450 kg)
Max. Roll Width	16' 5" (5 m)
Max. Roll Diameter	19.6" (500 mm)
Oil	Use L-HM46 Hydraulic oil (equivalent to ISO VG46)



# Warranties

---

## 7 Warranties

1. 2- year warranty on all wheels, hydraulics and media tray

All Foster products are inspected before shipment and believed to be free from defects in workmanship. Foster cannot be responsible for tools that show excessive wear or damage resulting from misuse, accidents or abuse.

These warranties do not cover any product that has been altered, modified or damaged, neglected, accidentally dropped or improperly used. If any of the previous occurs, the warranty shall be considered null and void.