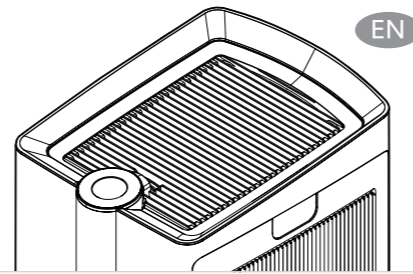


TruSens™

Z-6000 | Z-7000

Plug and Play Performance Purification

TruSens SensorPod™ and multiple levels of purification including True HEPA, Activated Carbon & UV-C LED Light all ensure that the whole room benefits from clean air.

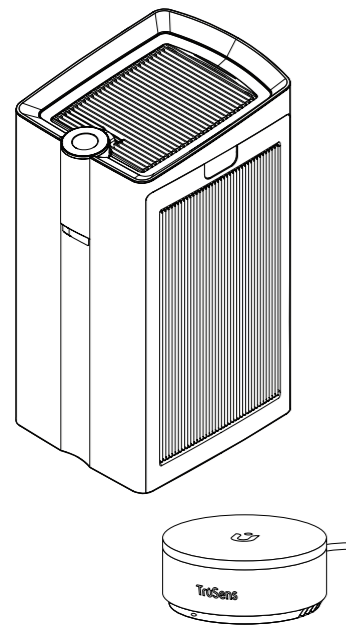


EN

IMPORTANT Before operation, follow these steps and read our TruSens Owner's Manual at www.trusens.com/support/owners-manuals.

Included in your box

- 1 Air Purifier + Power Cord
- 1 SensorPod + Adapter
- 2 Filters (left side + right side)

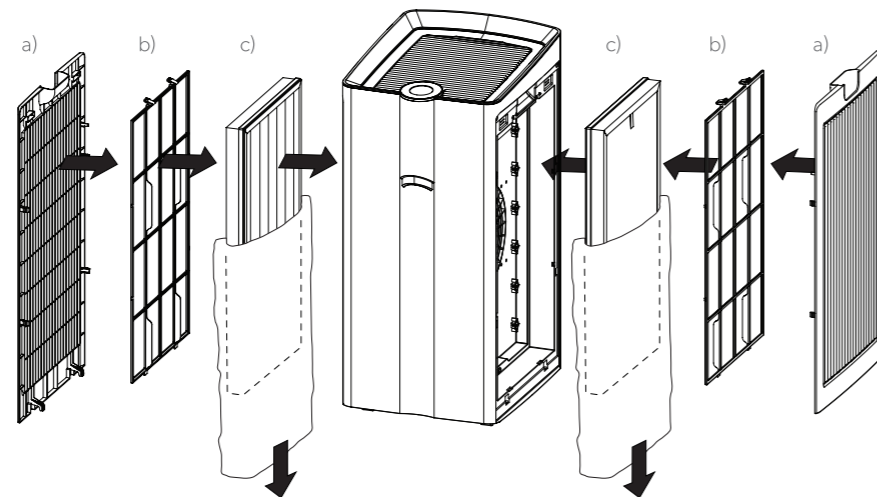


Directions for use

Install the filter (combination True HEPA/Carbon)

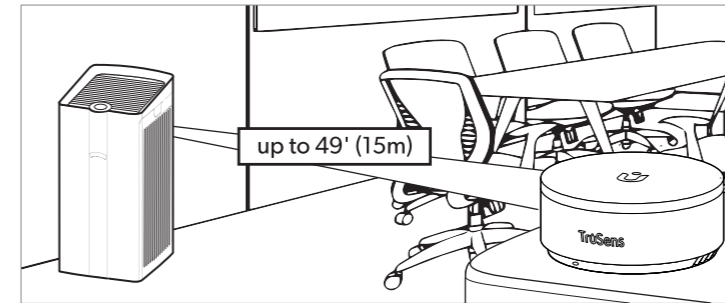
Remove side panel door (a), prefilter (b) then bagged True HEPA/Carbon filter. Remove plastic bag from filter (c) and install inside the purifier with HEPA layer (white) on the inside, and the Carbon layer (black) on the outside. Replace the prefilter and side panel door.

NOTE: Perform steps on both left and right sides.



©2022 ACCO Brands. All rights reserved. TruSens™, U™ + Design and SensorPod™ are trademarks of ACCO Brands.

Set up



Plug-in your air purifier unit and power on.
 Plug-in your SensorPod™.
 For optimal results, place SensorPod on a tabletop or counter across the room, within line of sight of the purifier.
 Signal strength may vary by location.

EN

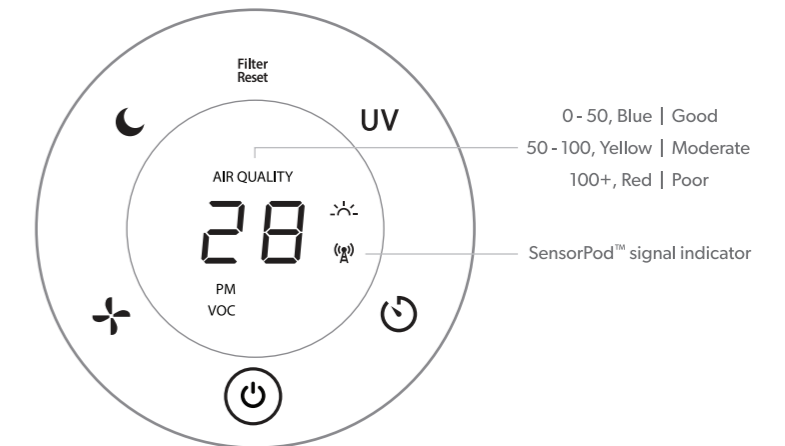
Filter Replacement

Model No.	Item Number	Filter Type	Suggested Replacement/Cleaning
Z-6000	AFCHZ6000-01 (2-pack)	Combination True HEPA/Carbon Filter	Every 12 months*
Z-7000	AFCHZ7000-01 (2-pack)		

*Replacement indicator will glow red on control panel to notify you to change.
NOTE: UV-C LED lights will not require replacement. Prefilter and purifier can be cleaned with a dampened cloth as needed.

Control Panel

- | Power on/off
- | Fan speed : Auto/Whisper/1/2/3/Turbo
- | Dimmer on/off
- | HEPA/Carbon replacement
- | UV mode on/off
- | Timer : 2h/4h/8h/12h



support@trusens.com | 1-833-TRUSENS (1-833-878-7367)
 Support and Warranty Terms at www.trusens.com

EPA Est. No. 87627-CHN-1